

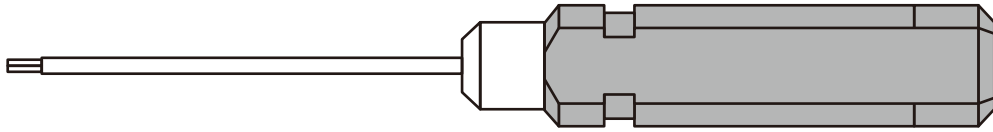
TRAILFINDER 2 **LWB**

1/10 Trail Finder 2 Truck Kit "LWB" w/Mojave II Four Door Body Set



www.rc4wd.com

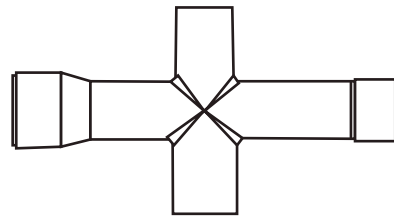
Recommended Tools



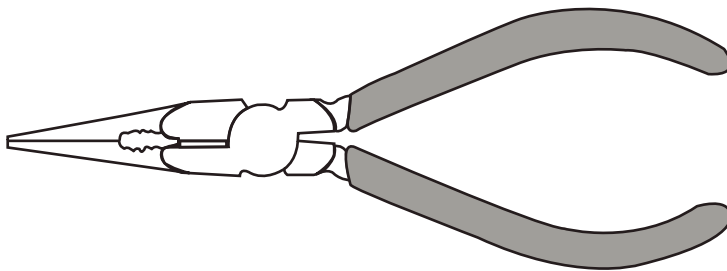
Hex Drivers (1.5mm, 2mm, 2.5mm)



Thread Lock



Cross Wrench



Long Nose Pliers

Tips for Assembly

Use good quality hex drivers to avoid stripping screw heads.

Use thread lock when putting metal screws into metal parts.

Note: Steps marked with an asterisk (*) require thread lock.

Use thread lock sparingly.

Do not over tighten screws otherwise you may strip the thread.

Warranty

RC4WD non-electrical products are warranted to be free of defects in materials and workmanship when new. Our limited warranty does not cover damages due to normal wear and tear, user error of assembly or installation, user modifications, user's failure to perform routine maintenance, addition of aftermarket parts or option parts. This warranty lasts 30 days after arrival for original purchaser.

In the event of a defect under this warranty, RC4WD will, at our discretion, replace the product, provided our inspection indicates that an original defect exists. RC4WD reserves the right to replace any product which is no longer available with a product of comparable value and function. If RC4WD determines the repair is not covered under warranty guidelines, we will contact you to discuss your options. If you have any questions, please contact us via email at support@rc4wd.com.

RC4WD warrants its electronics for 30 days from date of arrival. This covers all electrical items except items that are already noted on the individual product page.

Los productos no eléctricos RC4WD están garantizados como libres de defectos en materiales y mano de obra cuando son nuevos. Nuestra garantía limitada no cubre los daños debidos al desgaste normal, a errores de montaje o instalación por parte del usuario, a modificaciones del usuario, a la falta de mantenimiento rutinario por parte del usuario, a la adición de piezas de recambio o a piezas opcionales. Esta garantía dura 30 días después de la fecha de entrega para el comprador original.

En el caso de un defecto bajo esta garantía, RC4WD, a nuestra discreción, reemplazará el producto, siempre que nuestra inspección indique que existe un defecto original. RC4WD se reserva el derecho de sustituir cualquier producto que ya no esté disponible por otro de valor y función comparables. Si RC4WD determina que la reparación no está cubierta por la garantía, nos pondremos en contacto con usted para discutir sus opciones. Si tiene alguna pregunta, por favor contáctenos por correo electrónico a support@rc4wd.com.

RC4WD garantiza su electrónica por 30 días a partir de la fecha de entrega. Esto cubre todos los artículos eléctricos, excepto los que ya están anotados en la página del producto individual.

Les produits non électriques RC4WD sont garantis comme étant exempts de défauts de matériaux et de fabrication lorsqu'ils sont neufs. La garantie limitée ne couvre pas les dommages dus à l'usure normale, aux erreurs de montage ou d'installation de l'utilisateur, aux modifications apportées par l'utilisateur, au défaut d'entretien courant de l'utilisateur, à l'ajout de pièces de rechange ou de pièces optionnelles. Cette garantie dure 30 jours à compter de la date d'arrivée de l'acheteur initial.

En cas de défaut au titre de cette garantie, RC4WD remplacera, à notre discrétion, le produit, à condition que notre inspection indique qu'il s'agit d'un défaut d'origine. RC4WD se réserve le droit de remplacer tout produit indisponible par un produit de valeur et de fonction comparables. Si RC4WD détermine que la réparation n'est pas couverte par les directives de garantie, nous vous contacterons pour discuter des possibilités qui s'offrent à vous. Si vous avez des questions, veuillez nous contacter par courriel à support@rc4wd.com.

RC4WD garantit ses appareils électroniques pendant 30 jours à compter de la date d'arrivée. Cette garantie couvre tous les articles électriques, à l'exception de ceux qui sont déjà mentionnés sur la page de chaque produit.

Alle RC4WD, nicht elektrischen Produkte" sind garantiert frei von Materialfehlern durch die Produktion und Verarbeitung. Die Garantie deckt nicht Schäden aufgrund normaler Abnutzung, Benutzerfehler bei der Montage oder Installation, Änderungen durch den Benutzer, unterlassen der routinemäßigen Wartung durch den Benutzer, hinzufügen von Fremdteilen oder Optionsteile. Diese Garantie beträgt 30 Tage nach Kauf und Erhalt der Ware durch den Käufer. Im Falle eines Mangels im Rahmen dieser Garantie, wird RC4WD nach Ermessen und sofern nach einer Kontrolle ein ursprünglicher Defekt vorliegt, das Produkt austauschen.

RC4WD behält sich das Recht vor, Produkte die nicht mehr erhältlich sind, mit einem gleichwertigem Produkt mit vergleichbarer Funktion zu tauschen.

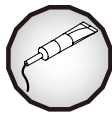
Wenn die Reklamation nicht mehr unter der Garantie fällt, wird Sie RC4WD für weitere Lösungen kontaktieren. Bei Fragen kontaktieren Sie uns bitte per E-Mail unter support@rc4wd.com.



Instruction Manual Symbols Key



Apply Thread Lock



Apply Grease



Glue



Trim with Hobby Knife



CA Glue



Remove



Cut with Scissors



Repeat or Build Multiple



Build Right and Left



Paint



Attention



Build Front and Rear


Tips for Assembly

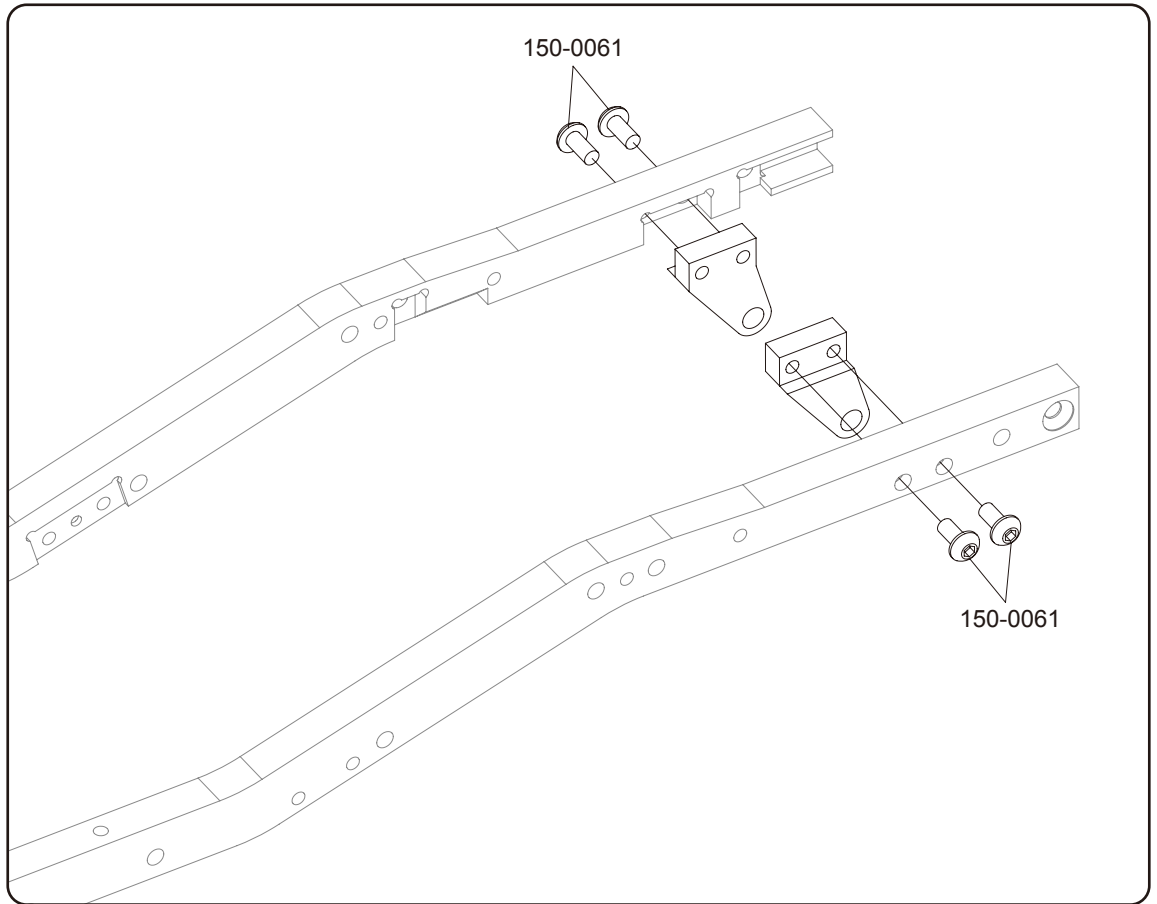
- Use good quality hex drivers to avoid stripping screw heads.
- Open kit bags in order of assembly steps.
- Use “Step” index for quantity and size of hardware to be used for assembly.
- Do not over tighten screws.
- Use thread lock sparingly on metal parts.

Recommendations for building your RC4WD Trail Finder 2 Truck Kit LWB


1. Carefully remove all parts from bags and sort them. Make sure to use threadlock on all screws in aluminum.
2. Do not over-tighten screws. Stripping screw heads and holes during assembly can happen if you are using too much force.

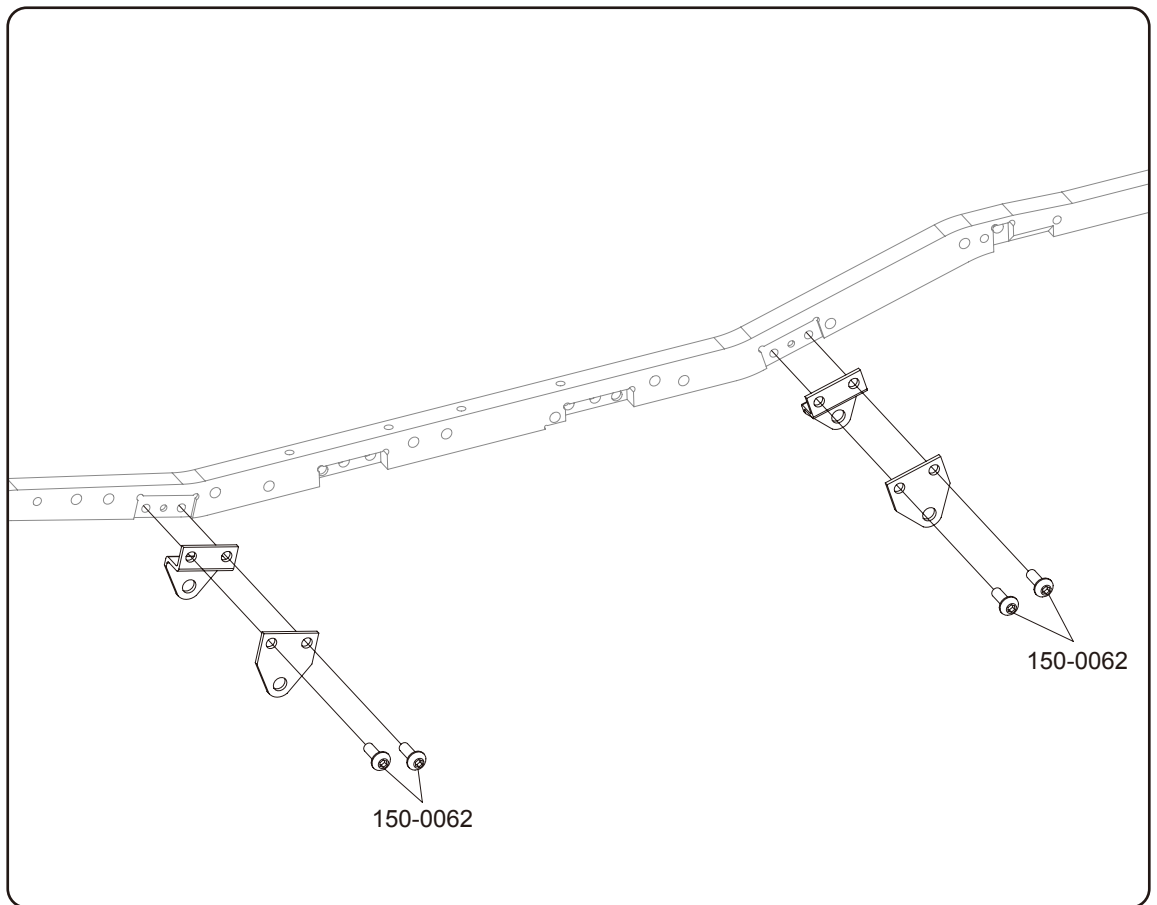
RC4WD
Step 1

 X4
150-0061
M3 x 6mm BHCS




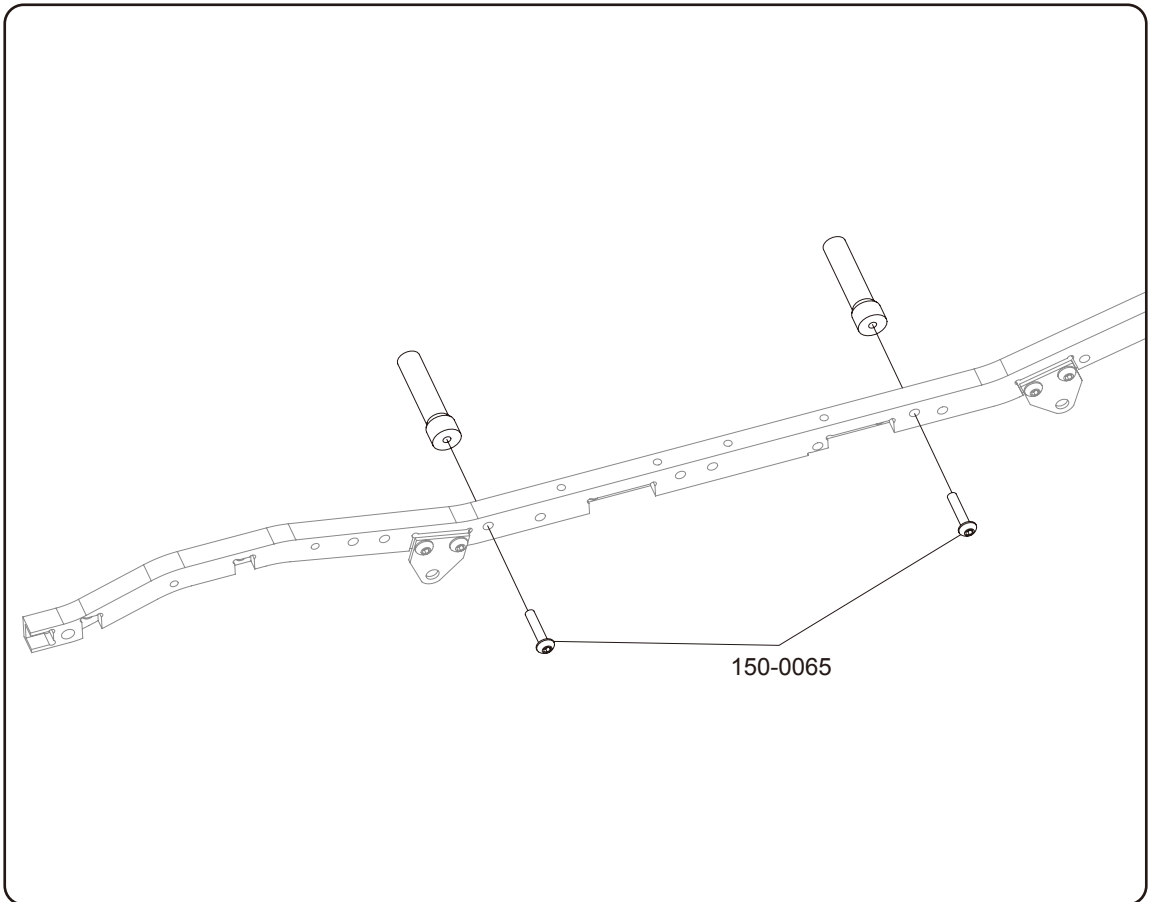
RC4WD
Step 2

 X4
150-0062
M3 x 8mm BHCS




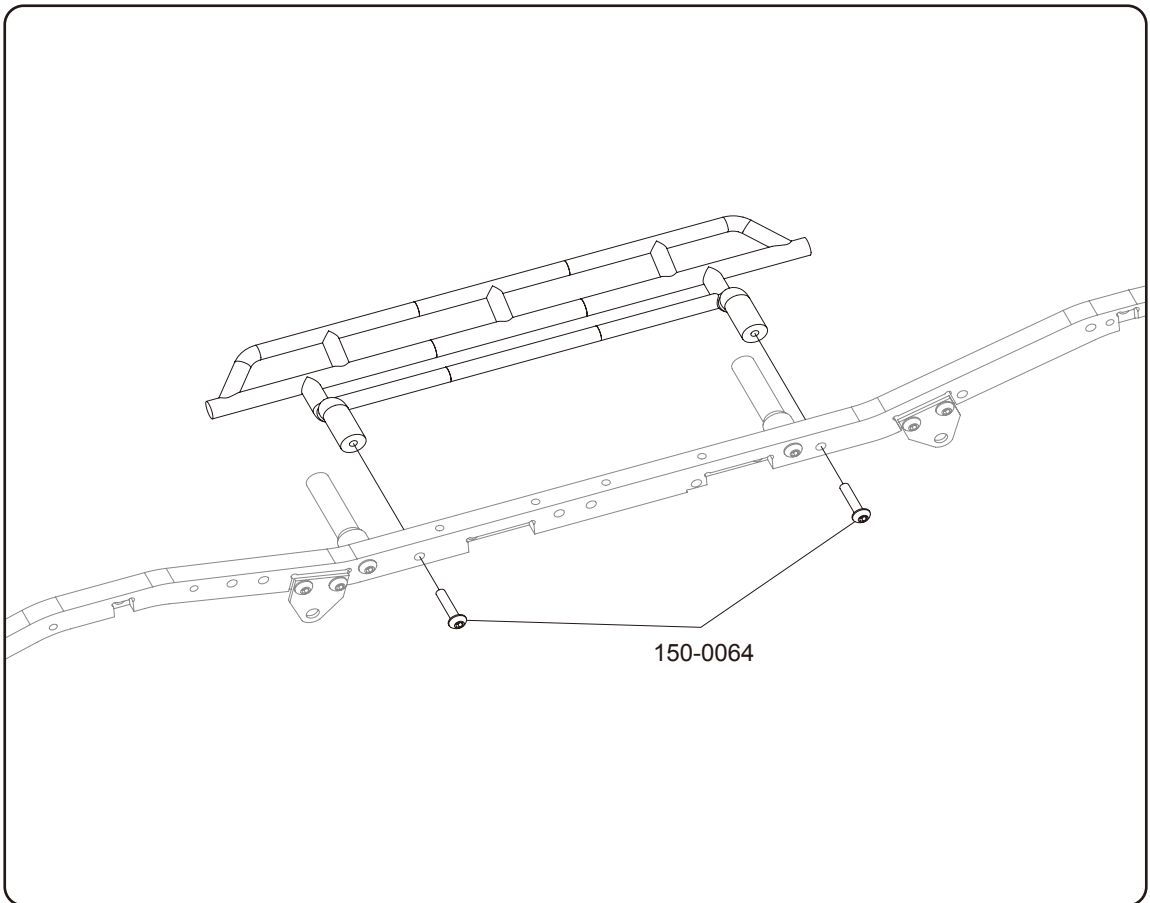
RC4WD
Step 3

 X2
150-0065
M3 x 14mm BHCS



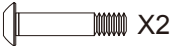
RC4WD
Step 4

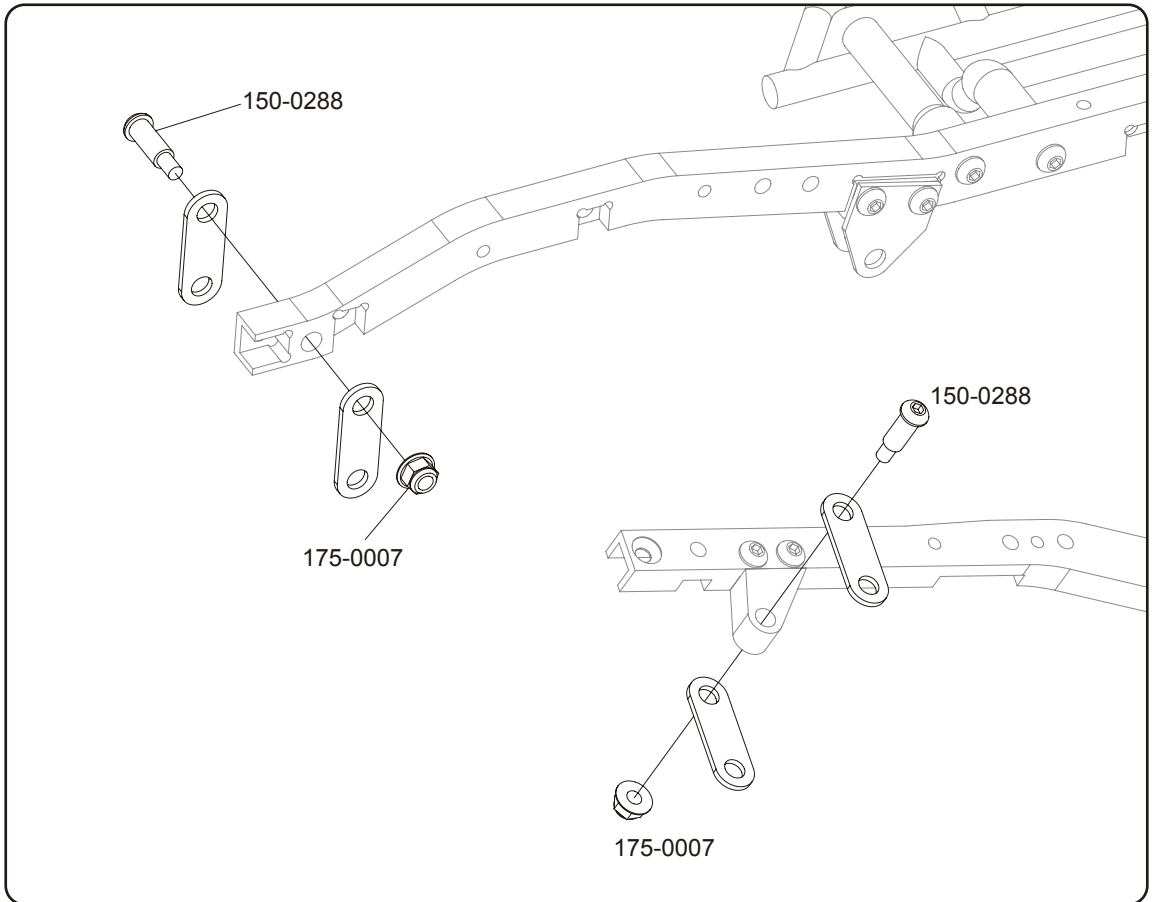
 X2
150-0064
M3 x 12mm BHCS




RC4WD
Step 5

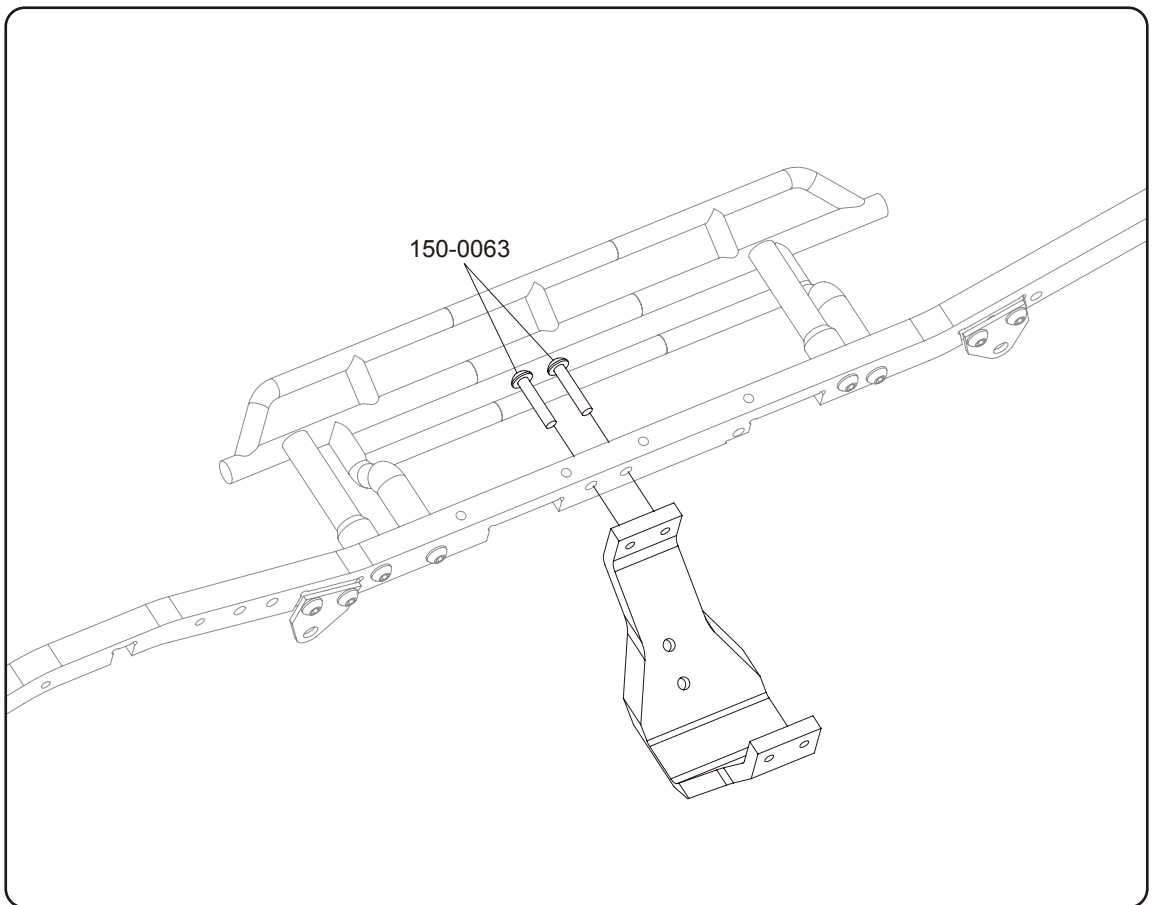
 X2
175-0007
M3 Black Lock Nut

 X2
150-0288
M3 x 15mm
Shoulder Screw




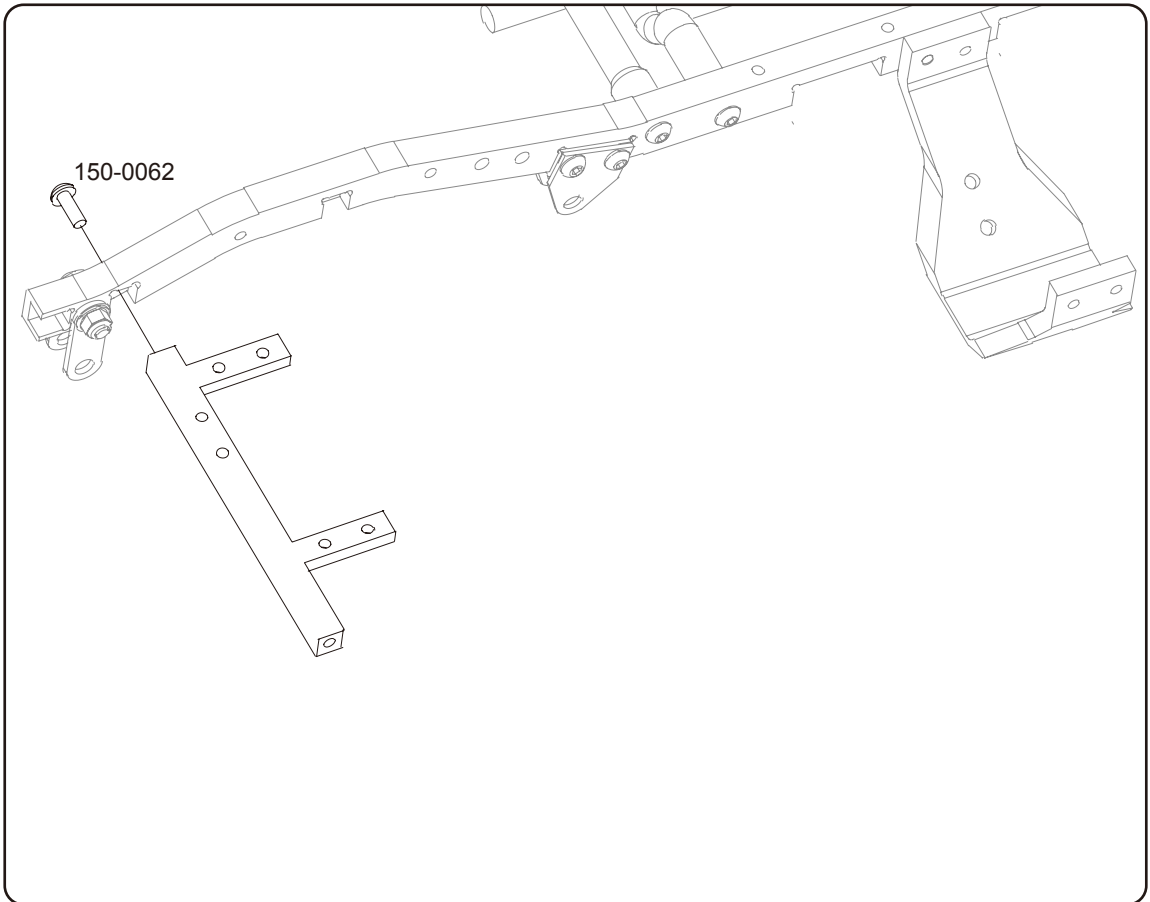
RC4WD
Step 6

 X2
150-0063
M3 x 10mm BHCS





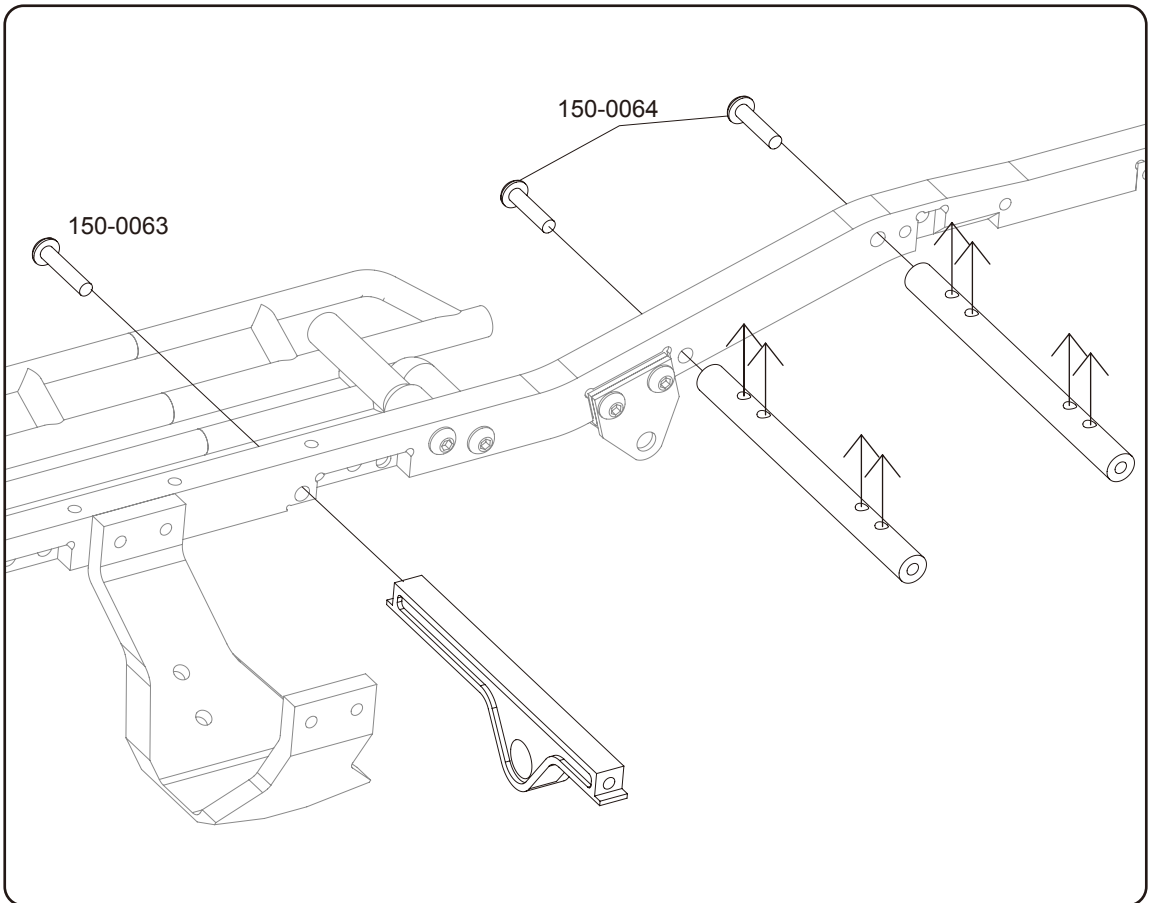
RC4WD
Step 7

-  X1
150-0062
M3 x 8mm BHCS




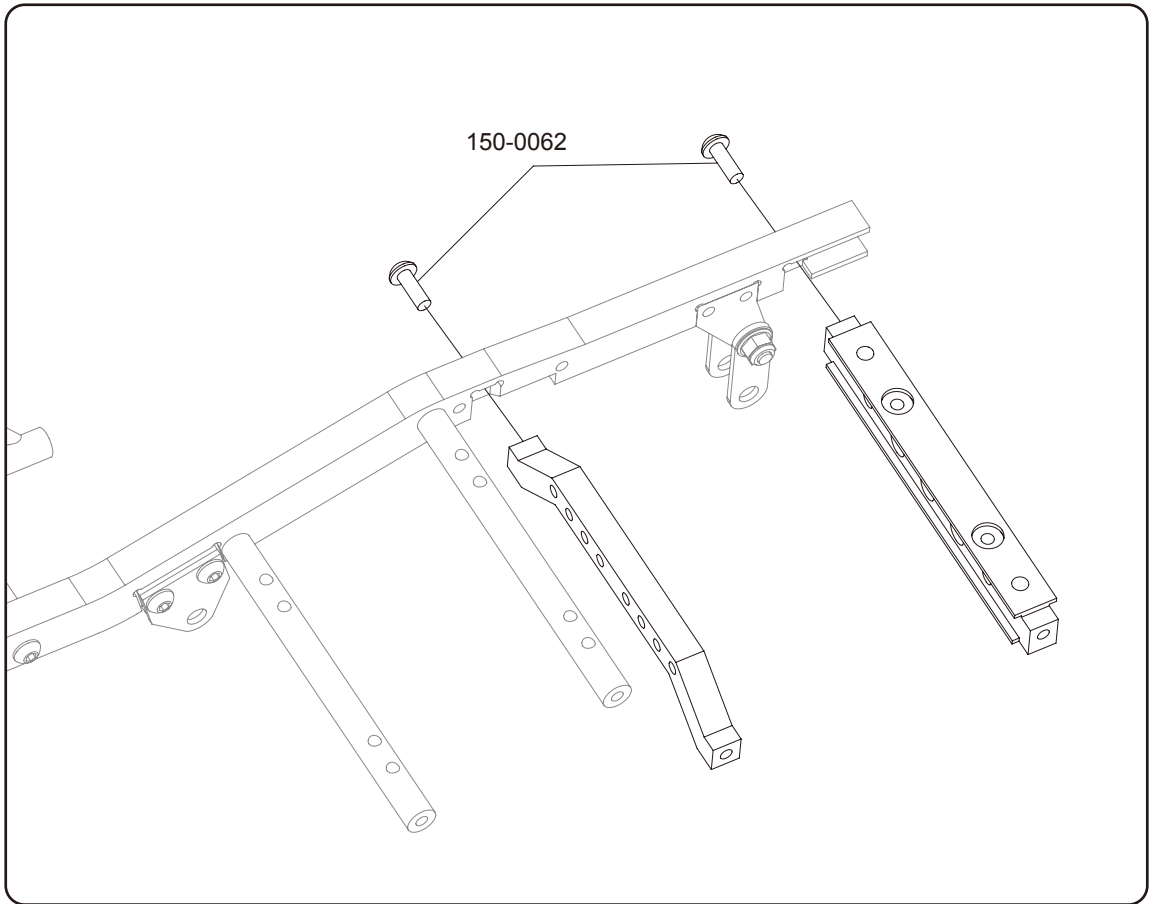
RC4WD
Step 8

-  X1
150-0063
M3 x 10mm BHCS
-  X2
150-0064
M3 x 12mm BHCS




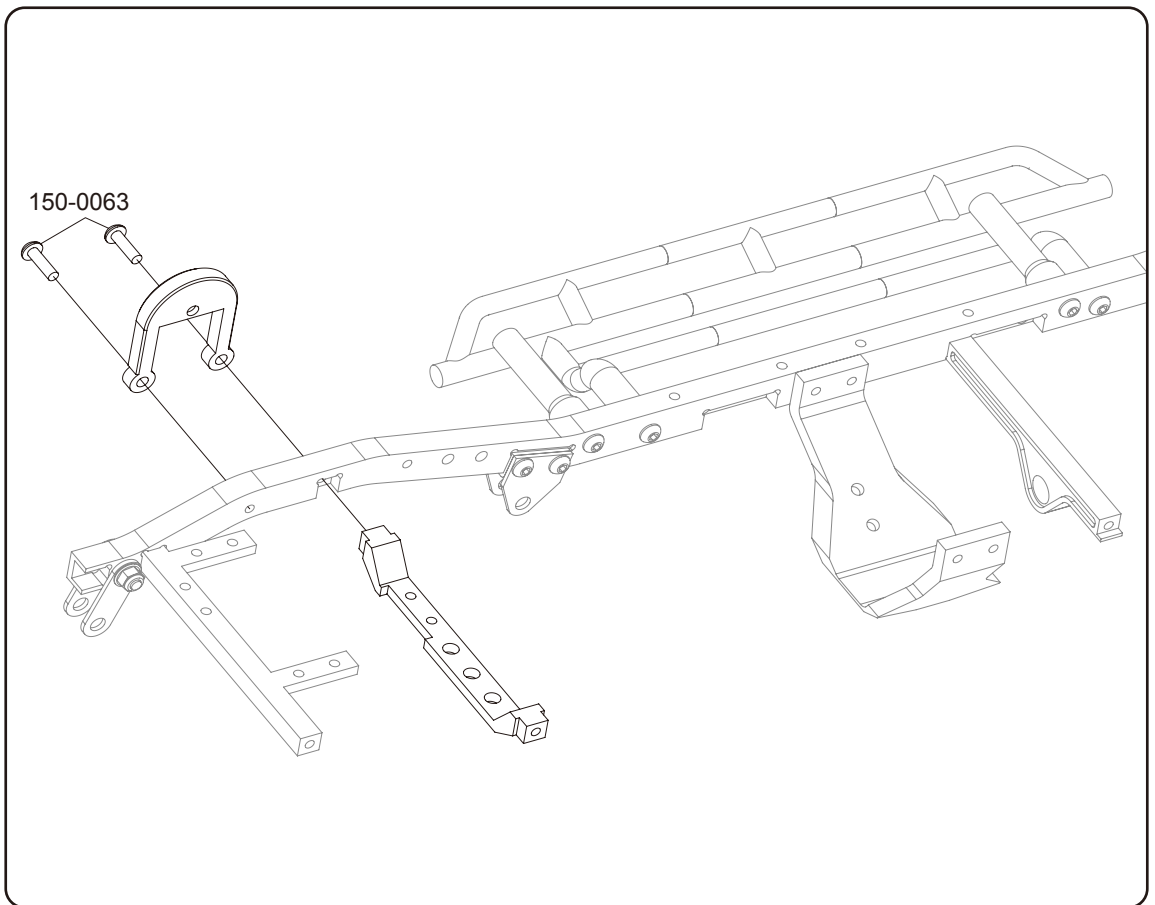
RC4WD
Step 9

 X2
150-0062
M3 x 8mm BHCS





RC4WD
Step 10

 X2
150-0063
M3 x 10mm BHCS

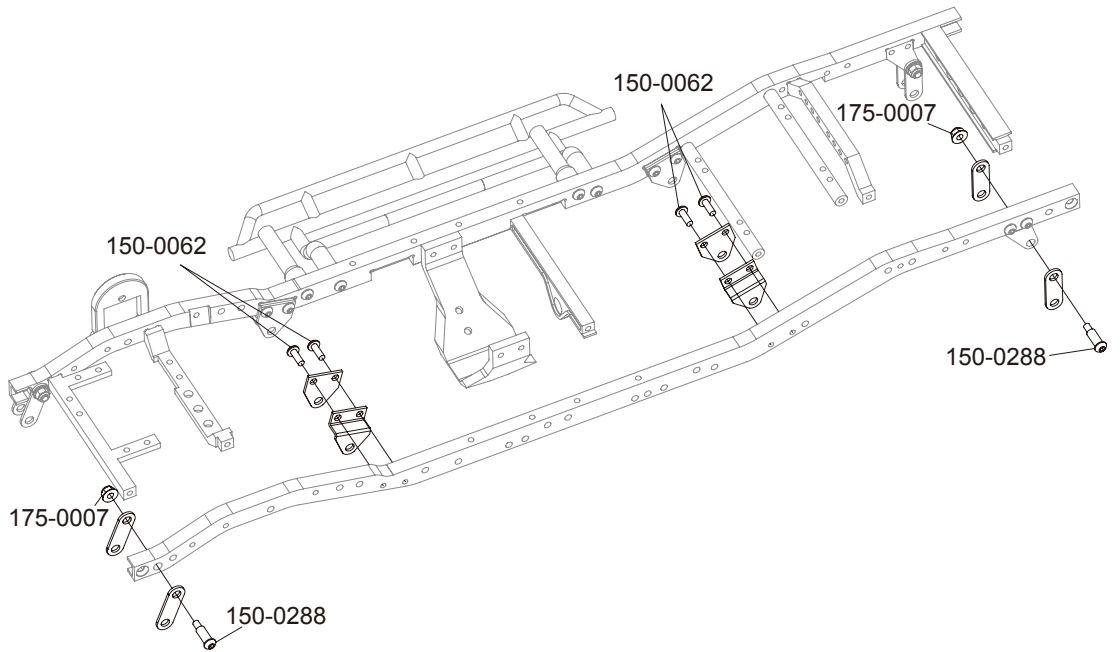


RC4WD
Step 11


 X4
150-0062
M3 x 8mm BHCS


 X2
150-0288
M3 x 15mm
Shoulder Screw

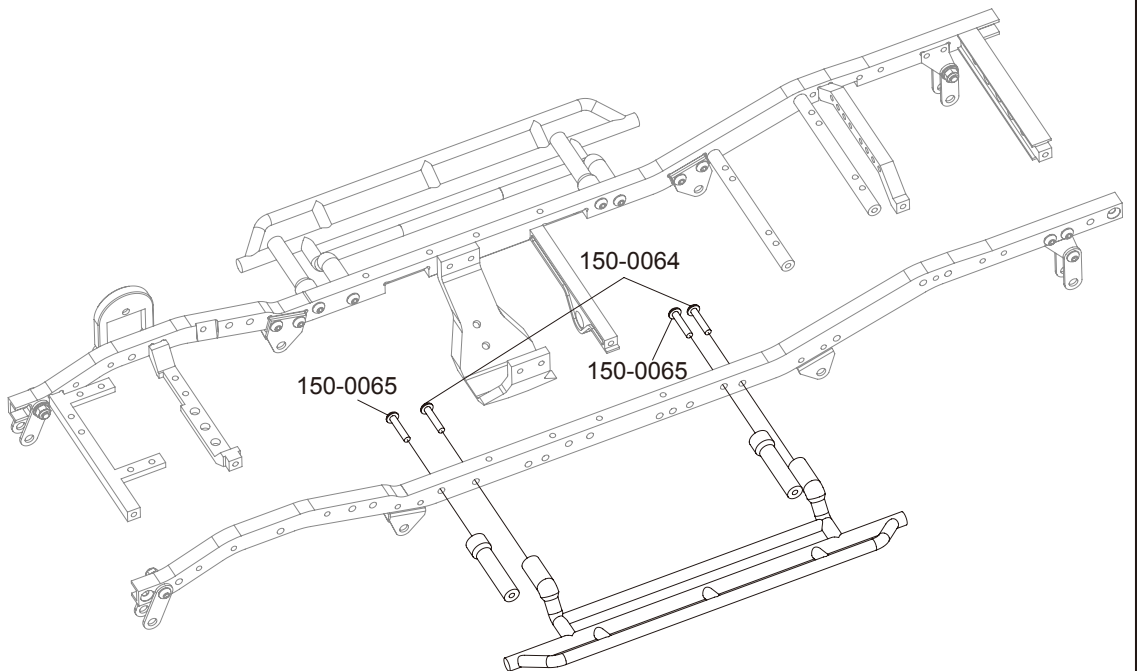
 X2
175-0007
M3 Black Lock Nut



RC4WD
Step 12


 X2
150-0064
M3 x 12mm BHCS


 X2
150-0065
M3 x 14mm BHCS

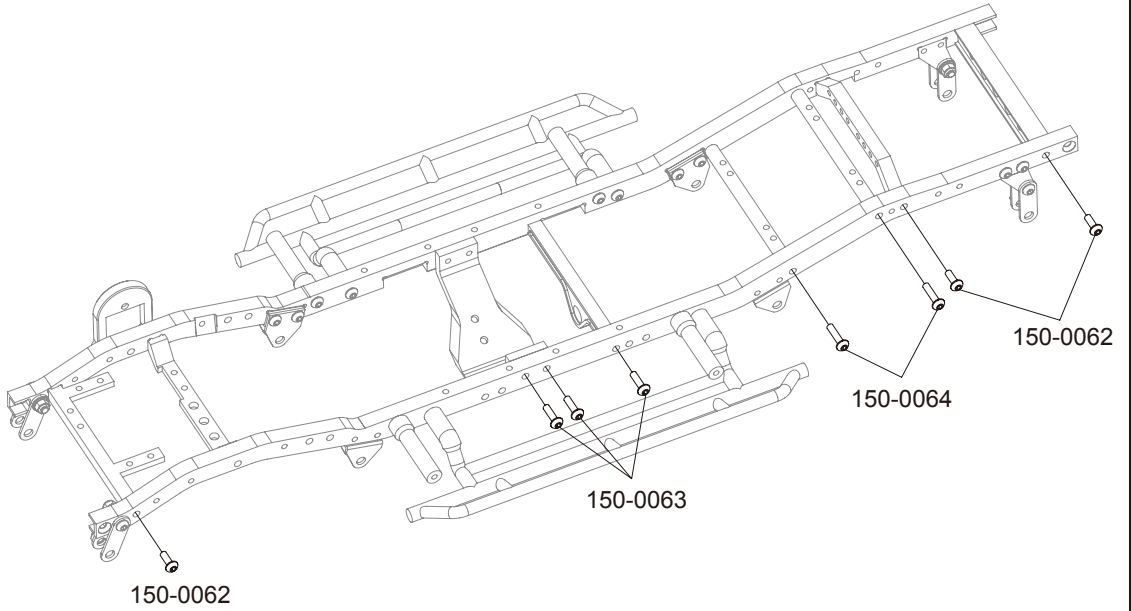


RC4WD
Step 13


 X3
150-0062
M3 x 8mm BHCS

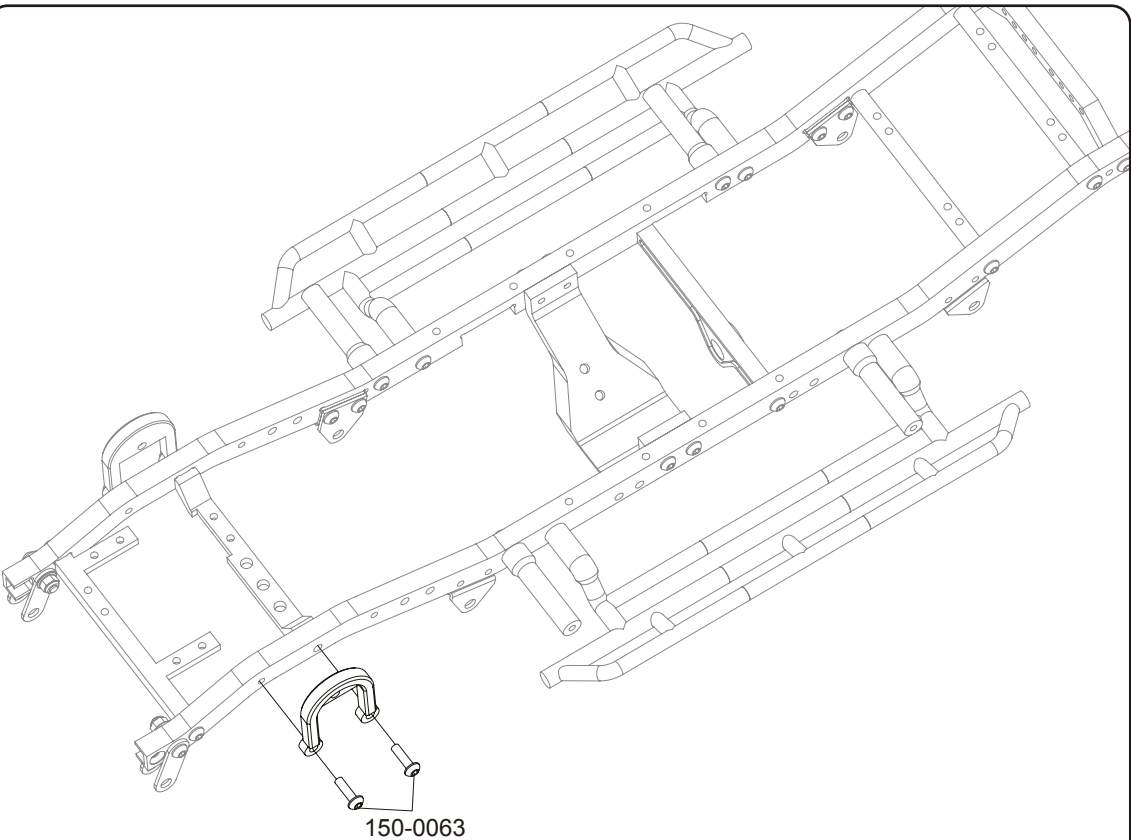
 X3
150-0063
M3 x 10mm BHCS

 X2
150-0064
M3 x 12mm BHCS




RC4WD
Step 14

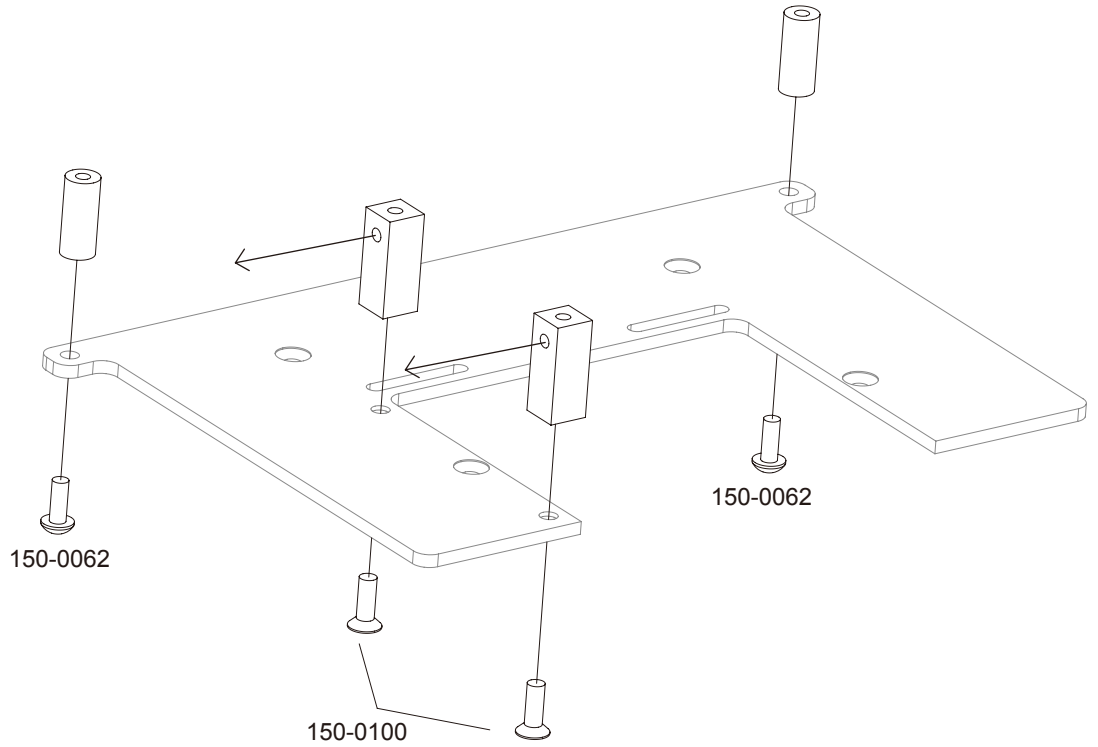
 X2
150-0063
M3 x 10mm BHCS



RC4WD
Step 15

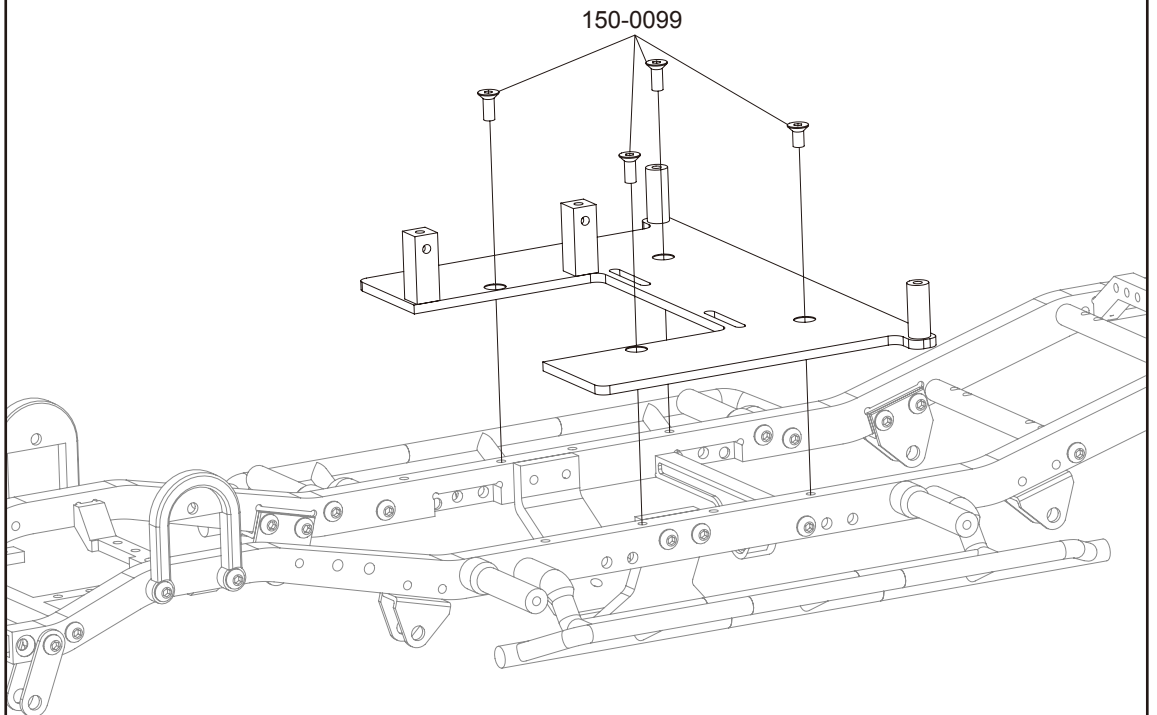
 X2
150-0062
M3 x 8mm BHCS

 X2
150-0100
M3 x 8mm FHCS




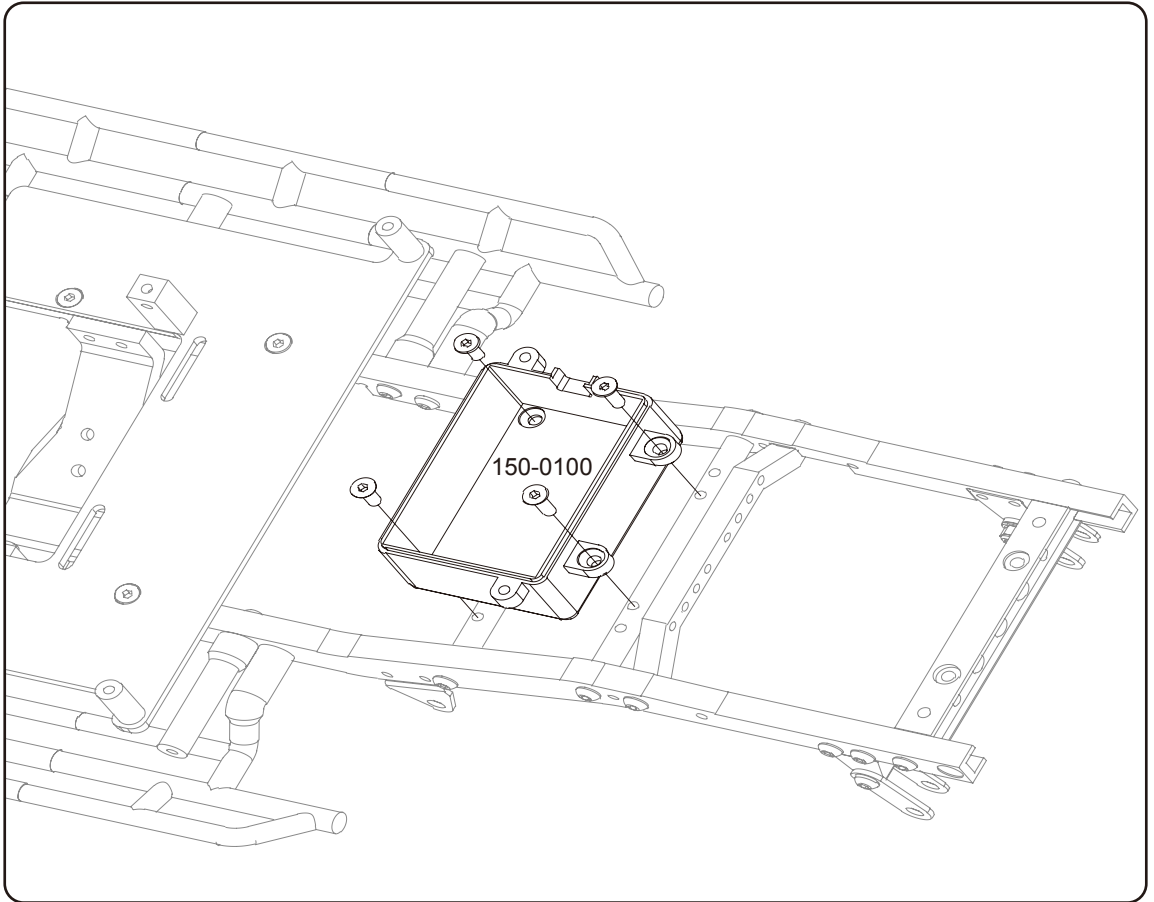
RC4WD
Step 16

 X4
150-0099
M3 x 6mm FHCS




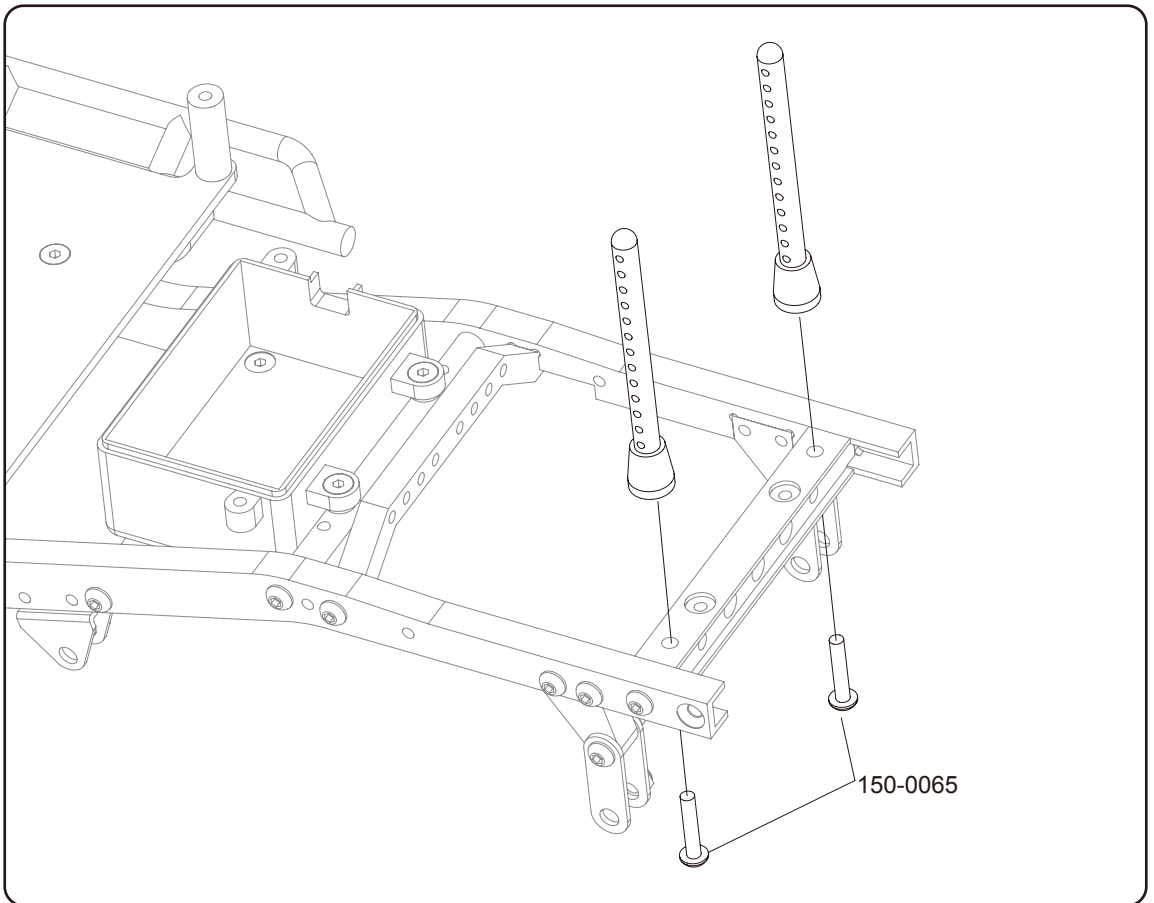
RC4WD
Step 17

 X4
150-0100
M3 x 8mm FHCS



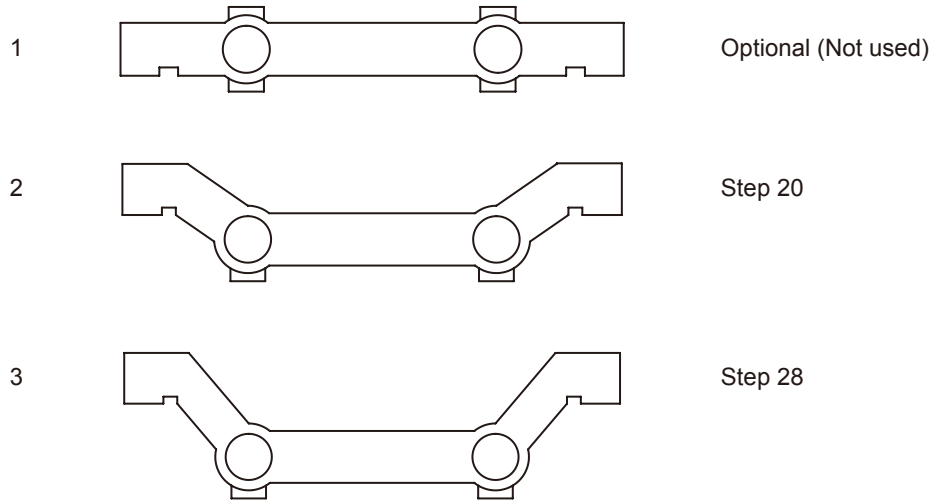
RC4WD
Step 18

 X2
150-0065
M3 x 14mm BHCS



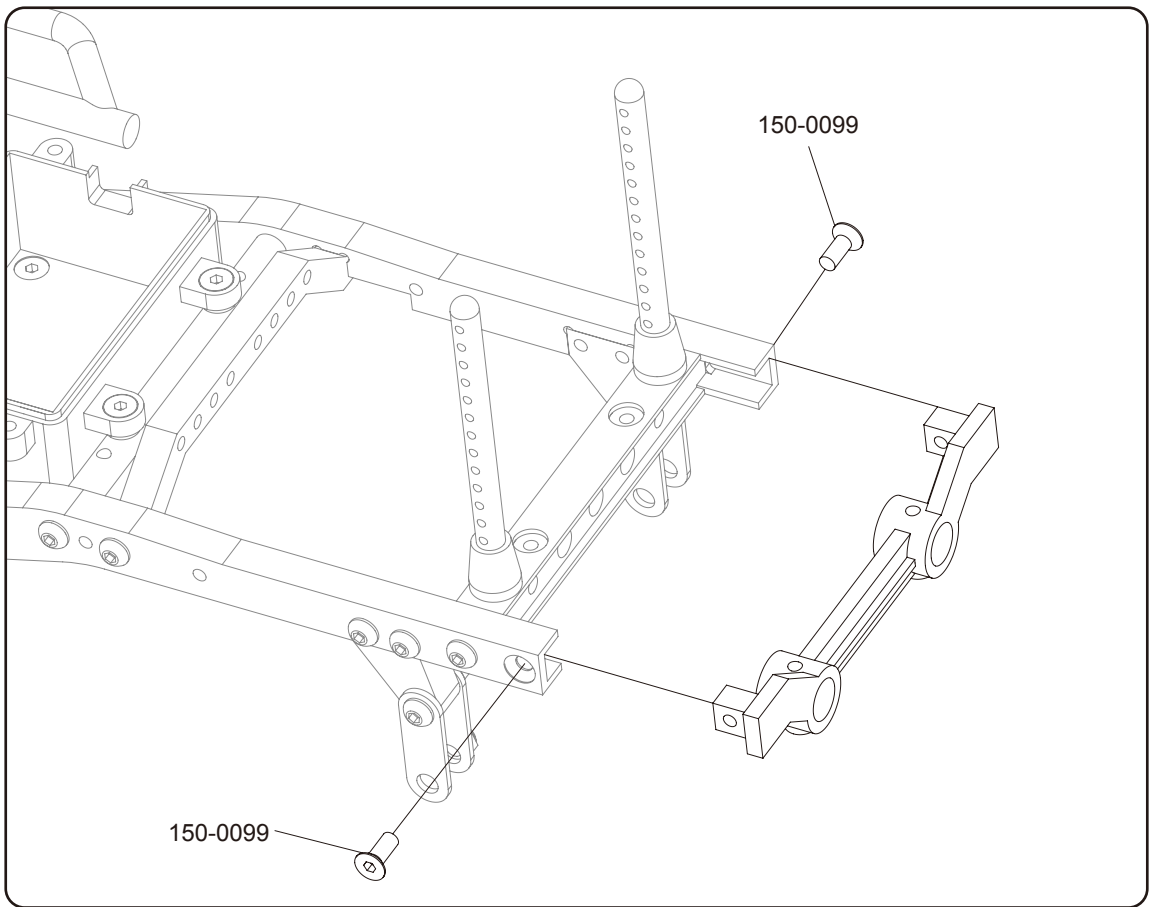
RC4WD
Step 19

Attach bumper mount 2 on the rear of the chassis.




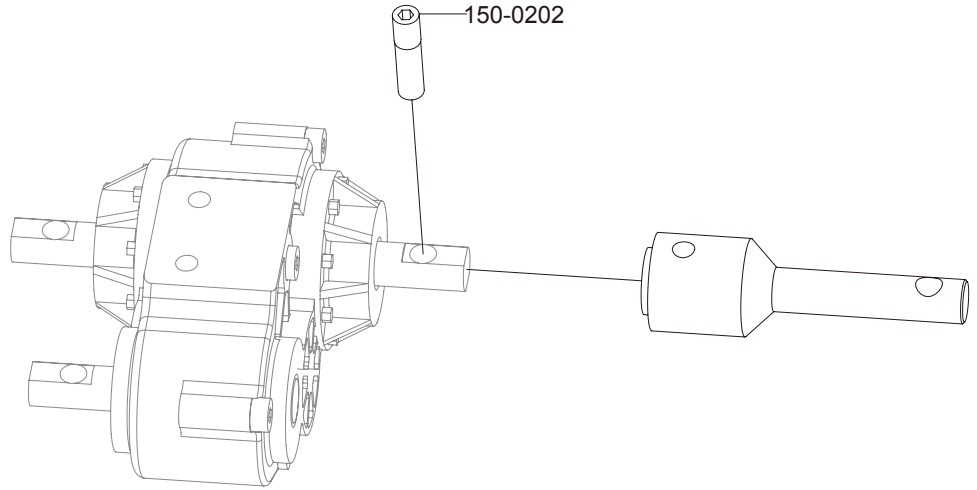
RC4WD
Step 20

 X2
150-0099
M3 x 6mm FHCS




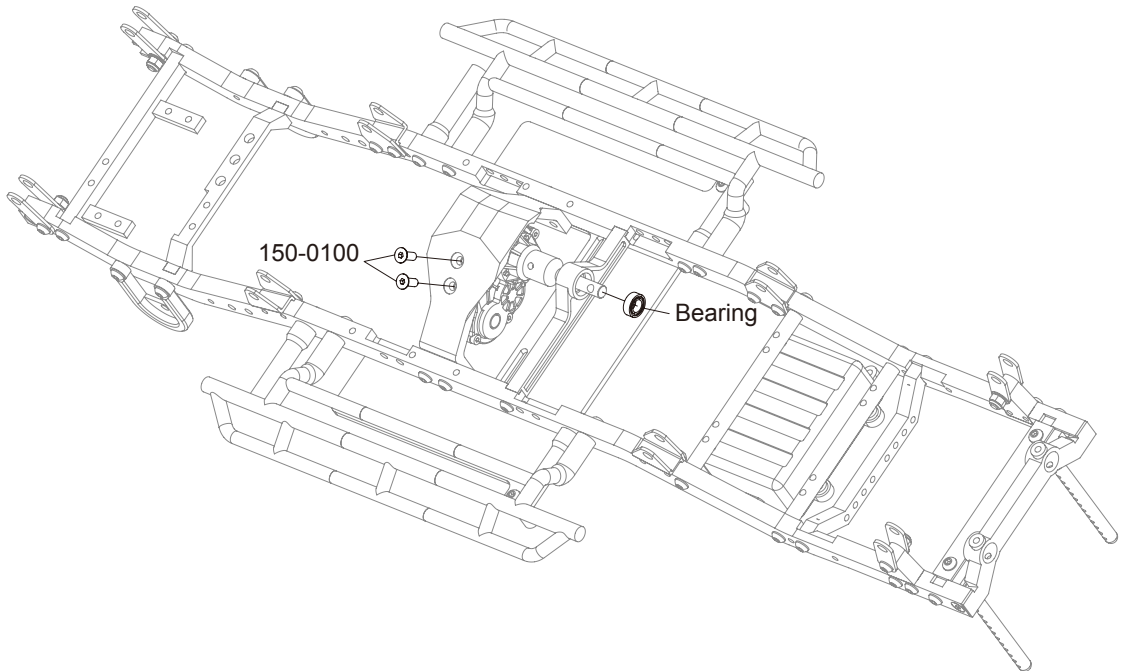
RC4WD
Step 21

 X1
150-0202
M3 Drive Shaft Pin




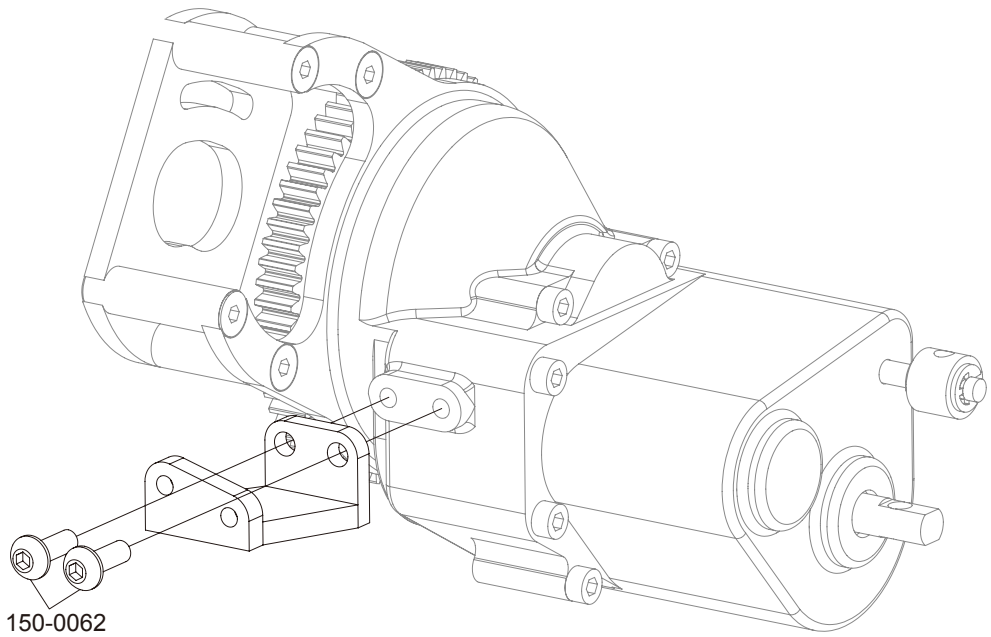
RC4WD
Step 22

 X2
150-0100
M3 x 8mm FHCS




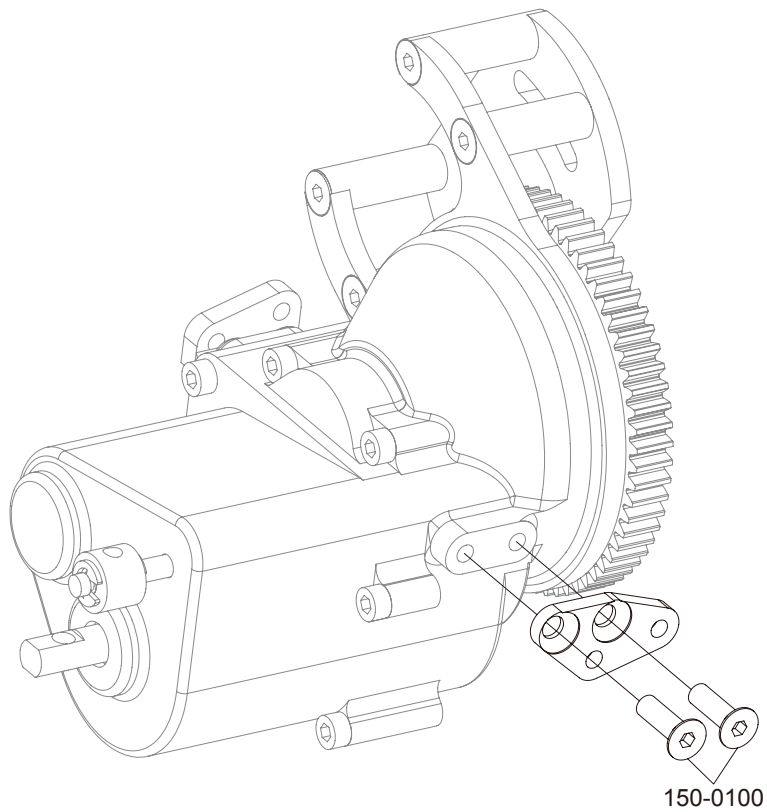
RC4WD
Step 23

 X2
150-0062
M3 x 8mm BHCS




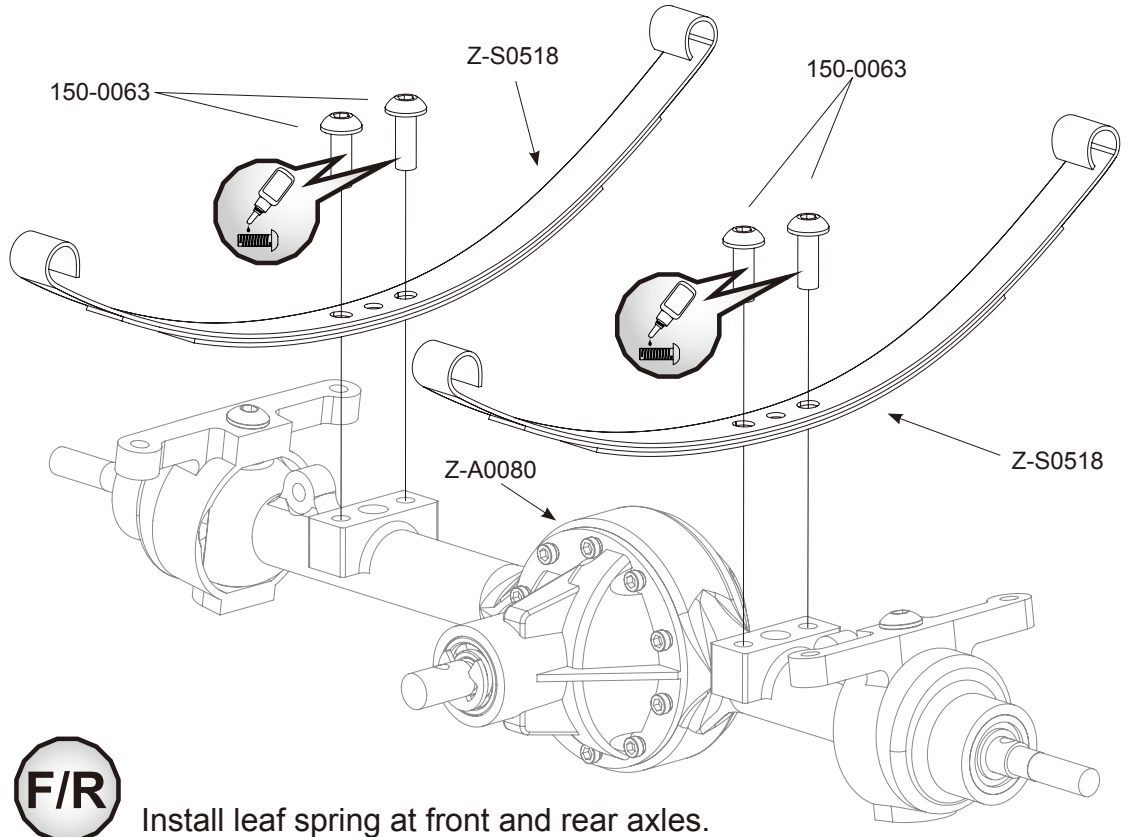
RC4WD
Step 24

 X2
150-0100
M3 x 8mm FHCS

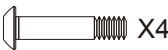


RC4WD
Step 25

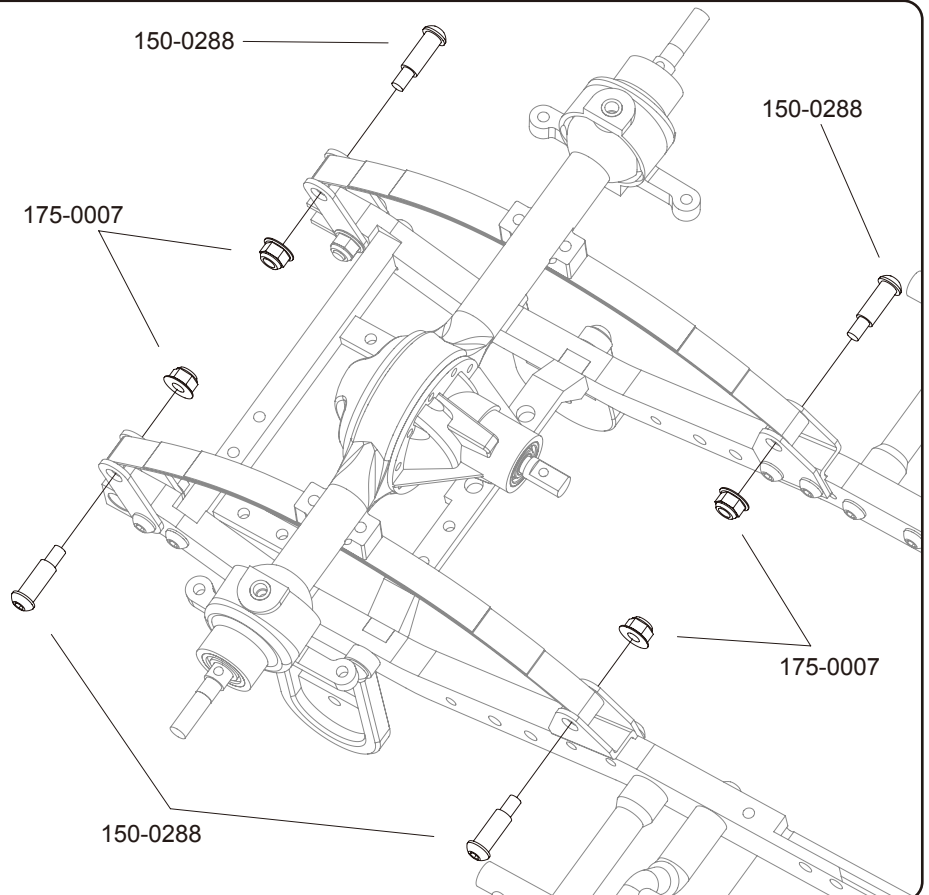
 X8
150-0063
M3 x 10mm BHCS



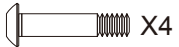
RC4WD
Step 26


 X4
150-0288
M3 x 15mm
Shoulder Screw

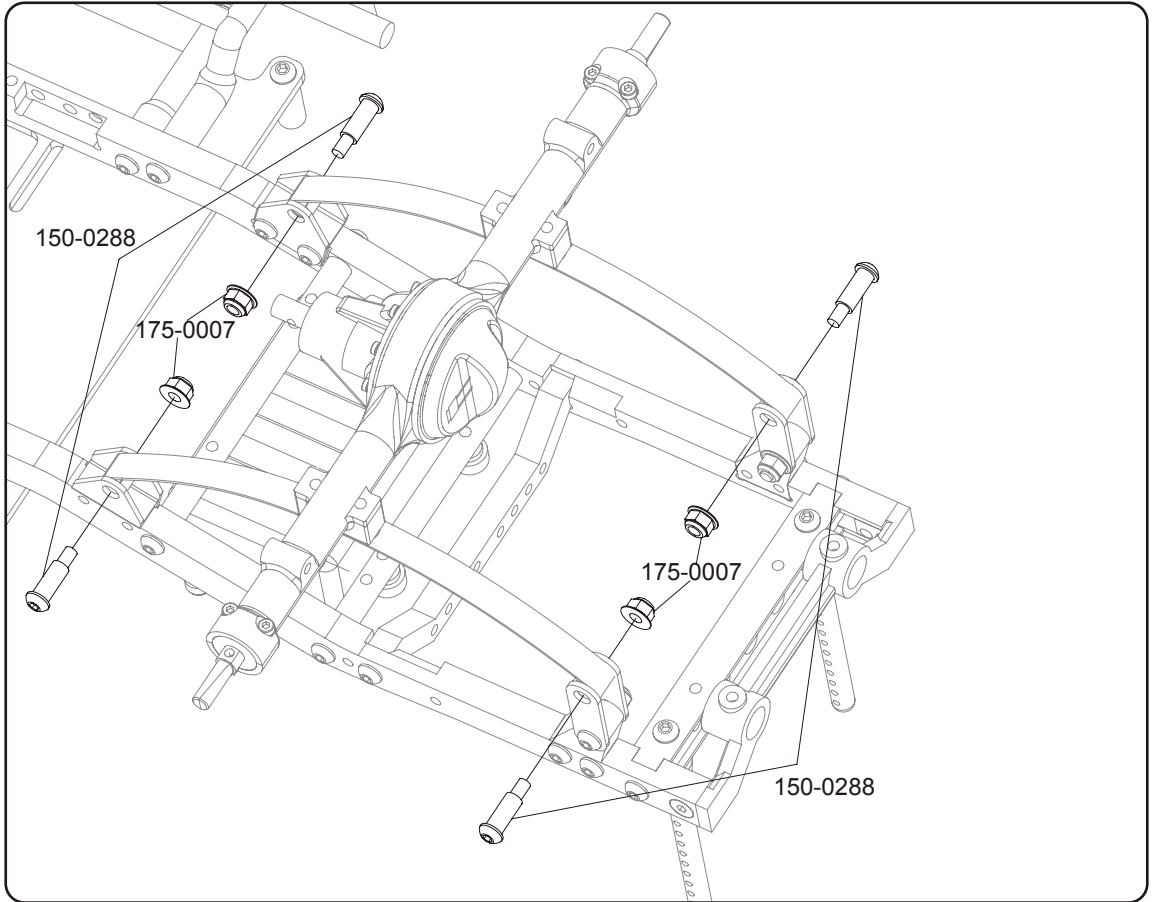
 X4
175-0007
M3 Black Lock Nut



RC4WD
Step 27

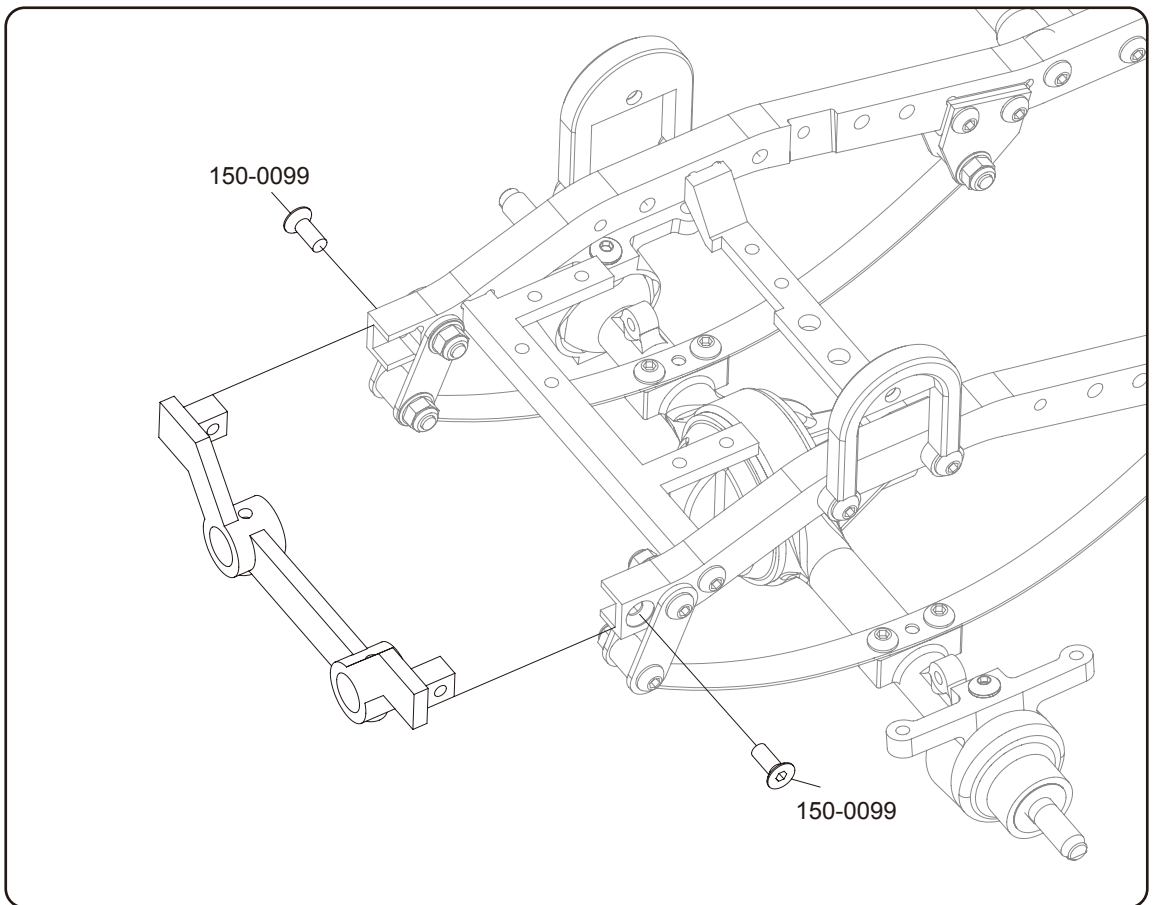
 X4
150-0288
M3 x 15mm
Shoulder Screw

 X4
175-0007
M3 Black Lock Nut




RC4WD
Step 28

 X2
150-0099
M3 x 6mm FHCS

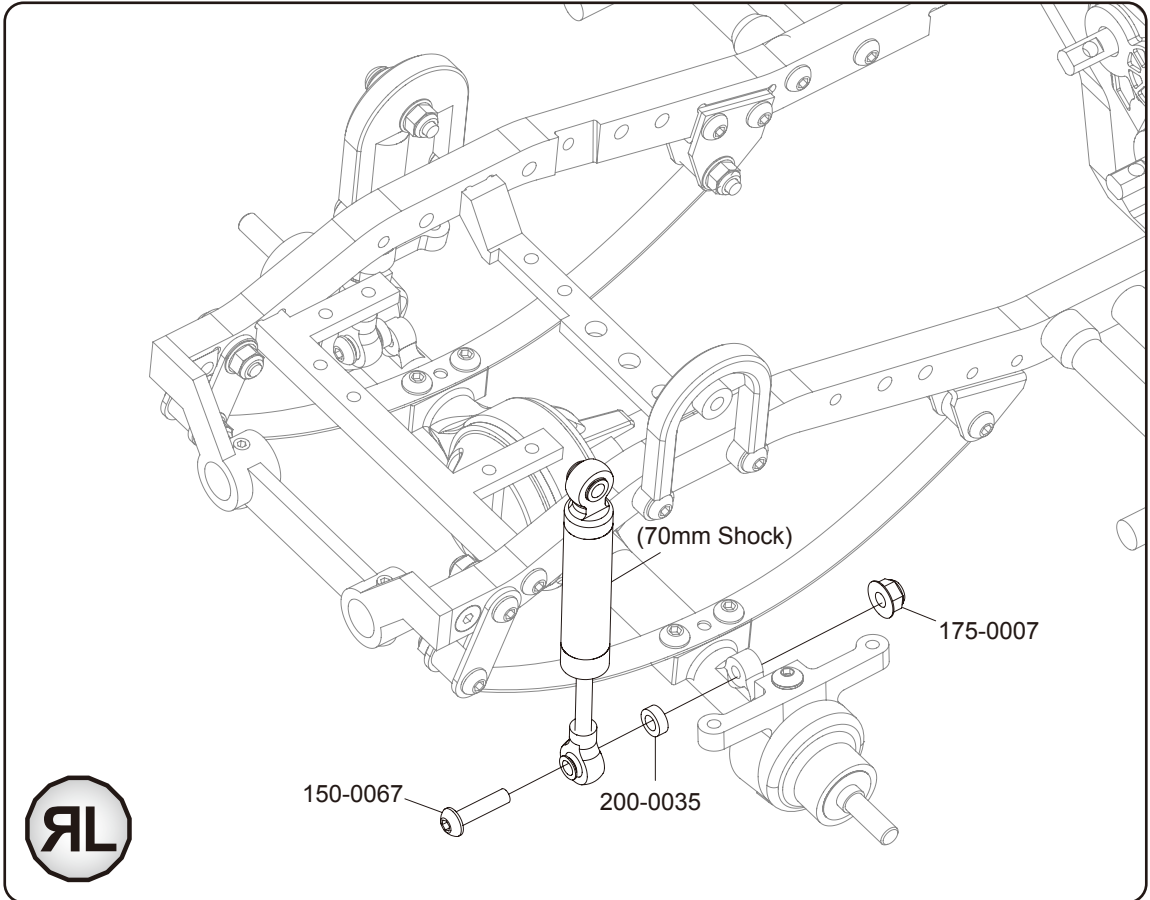


RC4WD
Step 29

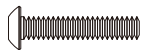
 X2
150-0067
M3 x 18mm BHCS

 X2
175-0007
M3 Black Lock Nut

 X2
200-0035
M3 X 2mm Spacer

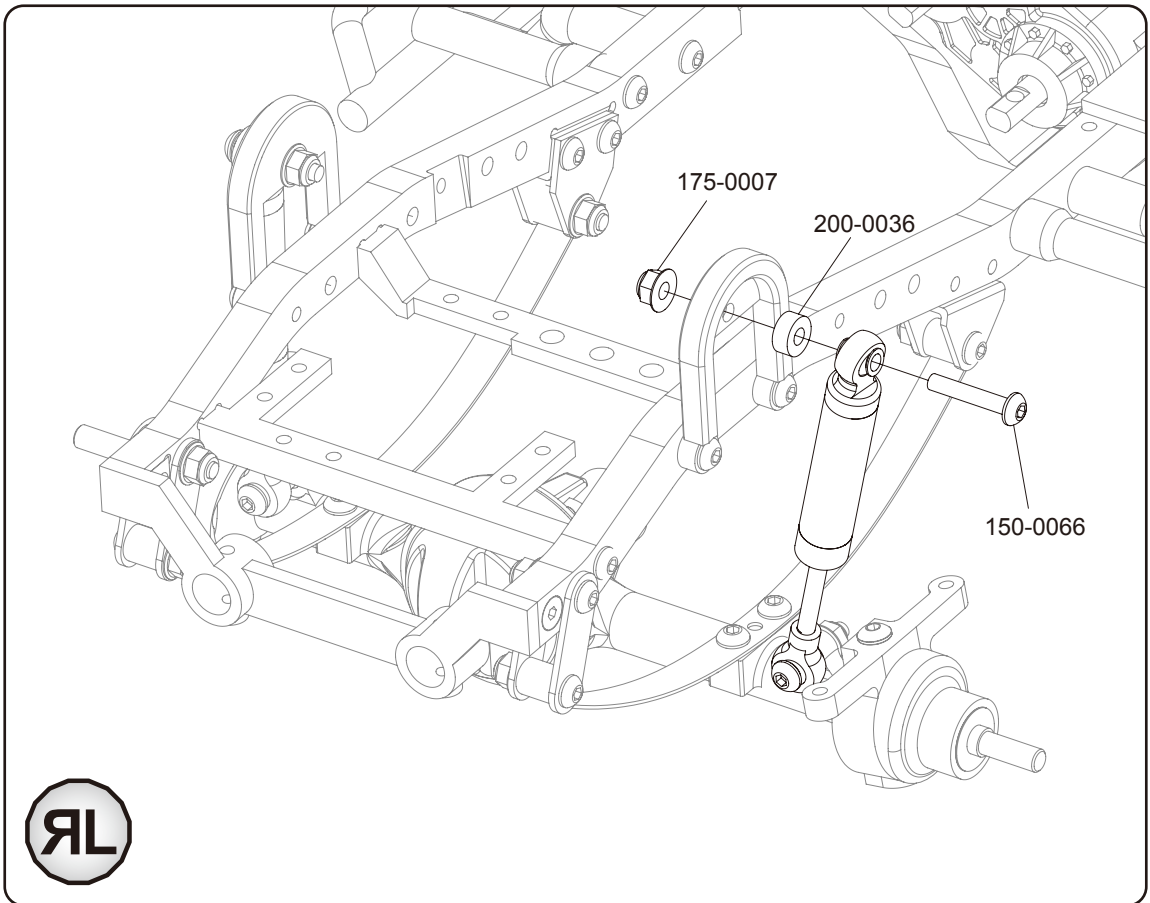


RC4WD
Step 30


 X2
150-0066
M3 x 16mm BHCS


 X2
175-0007
M3 Black Lock Nut

 X2
200-0036
M3 X 3mm Spacer

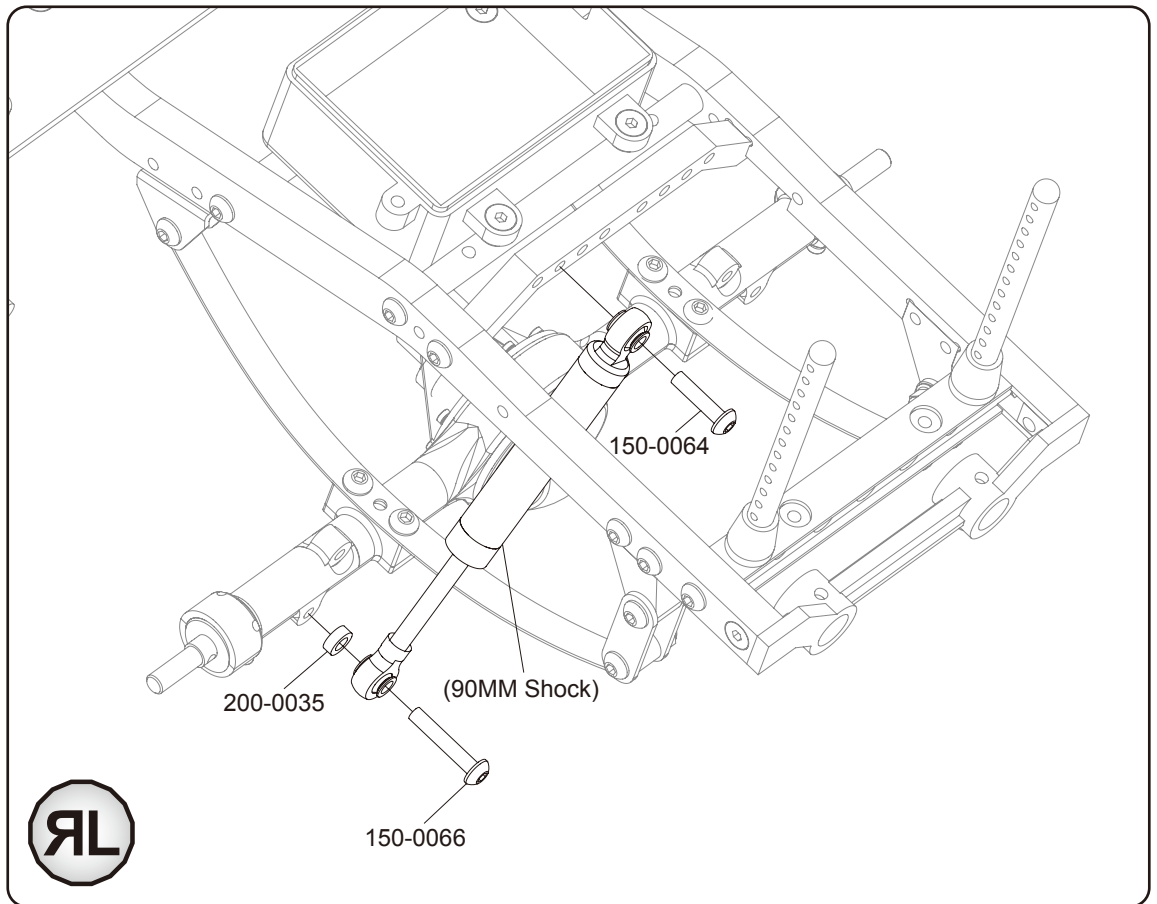


RC4WD
Step 31

 X2
150-0064
M3 x 12mm BHCS

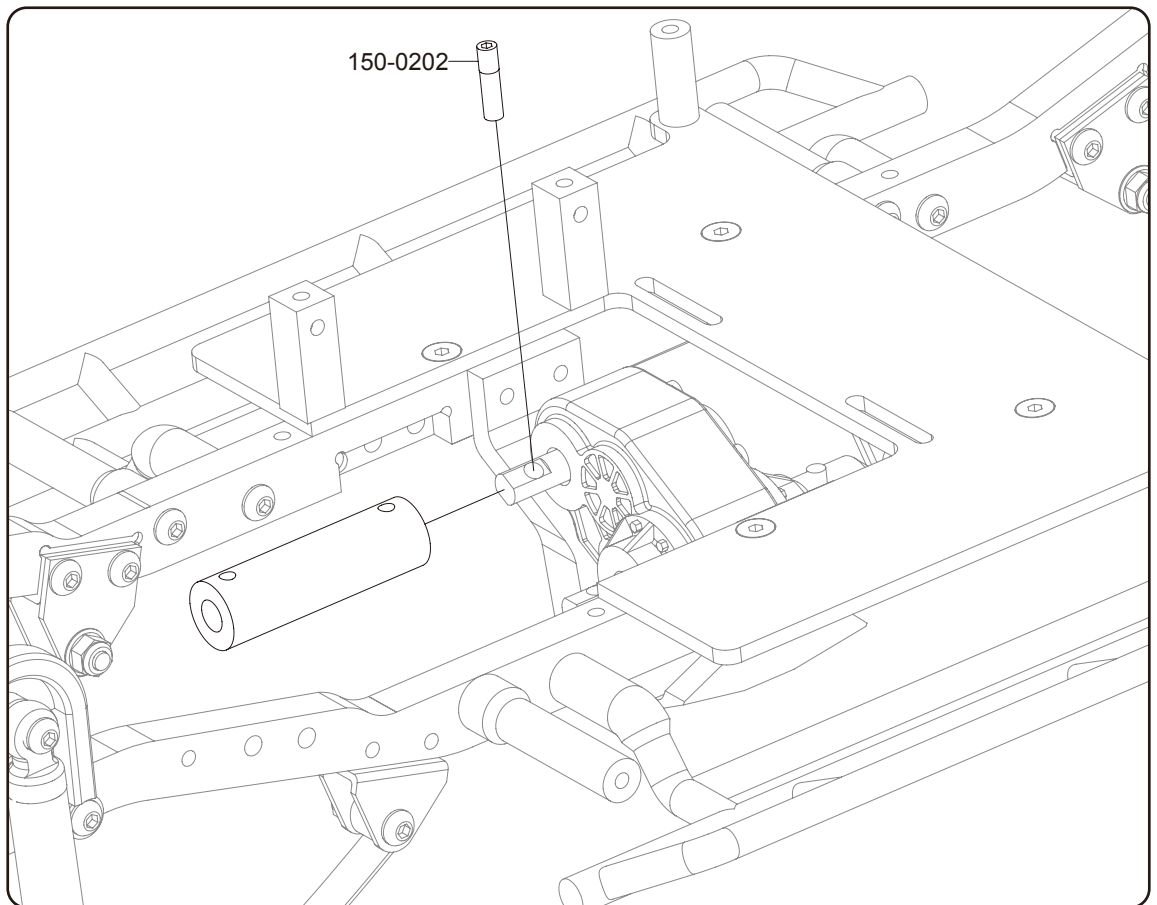
 X2
150-0066
M3 x 16mm BHCS

 X2
200-0035
M3 X 2mm Spacer

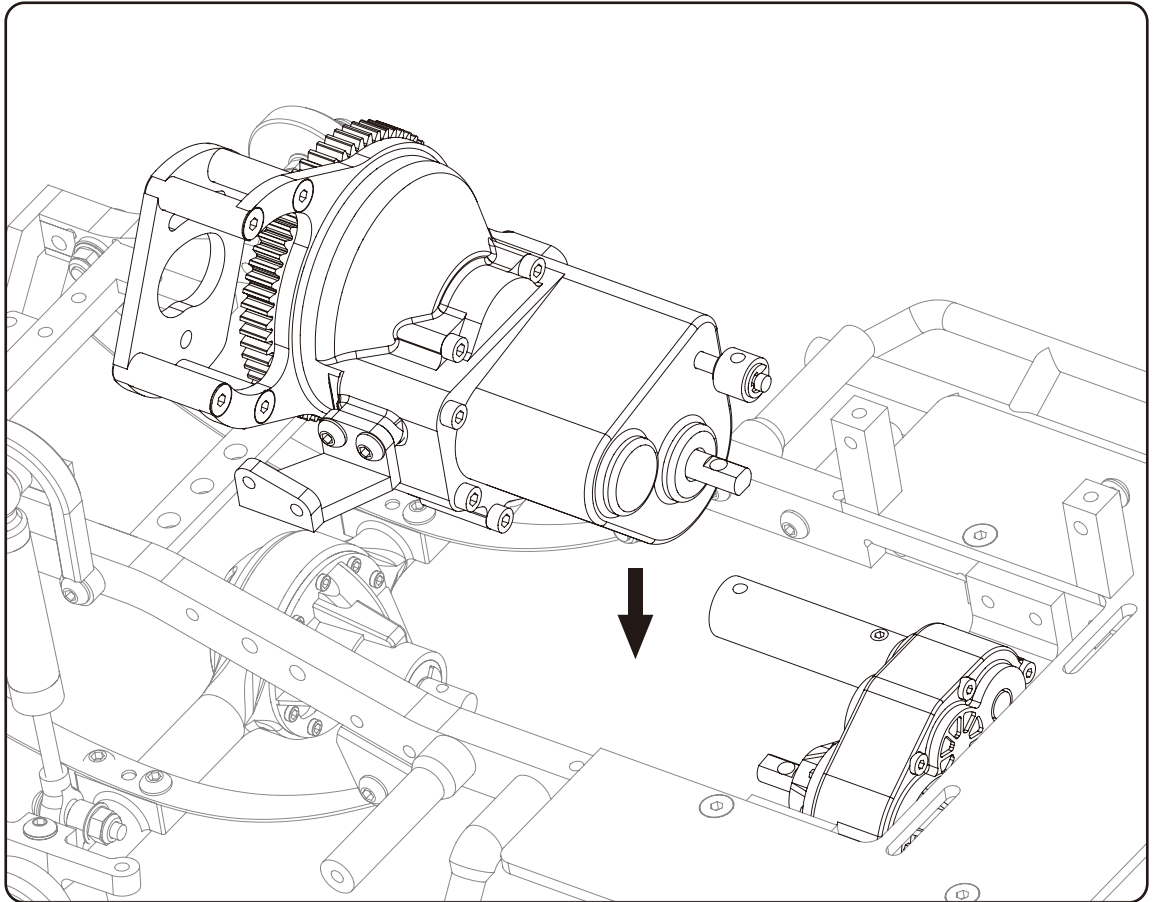


RC4WD
Step 32


 X1
150-0202
M3 Drive Shaft Pin

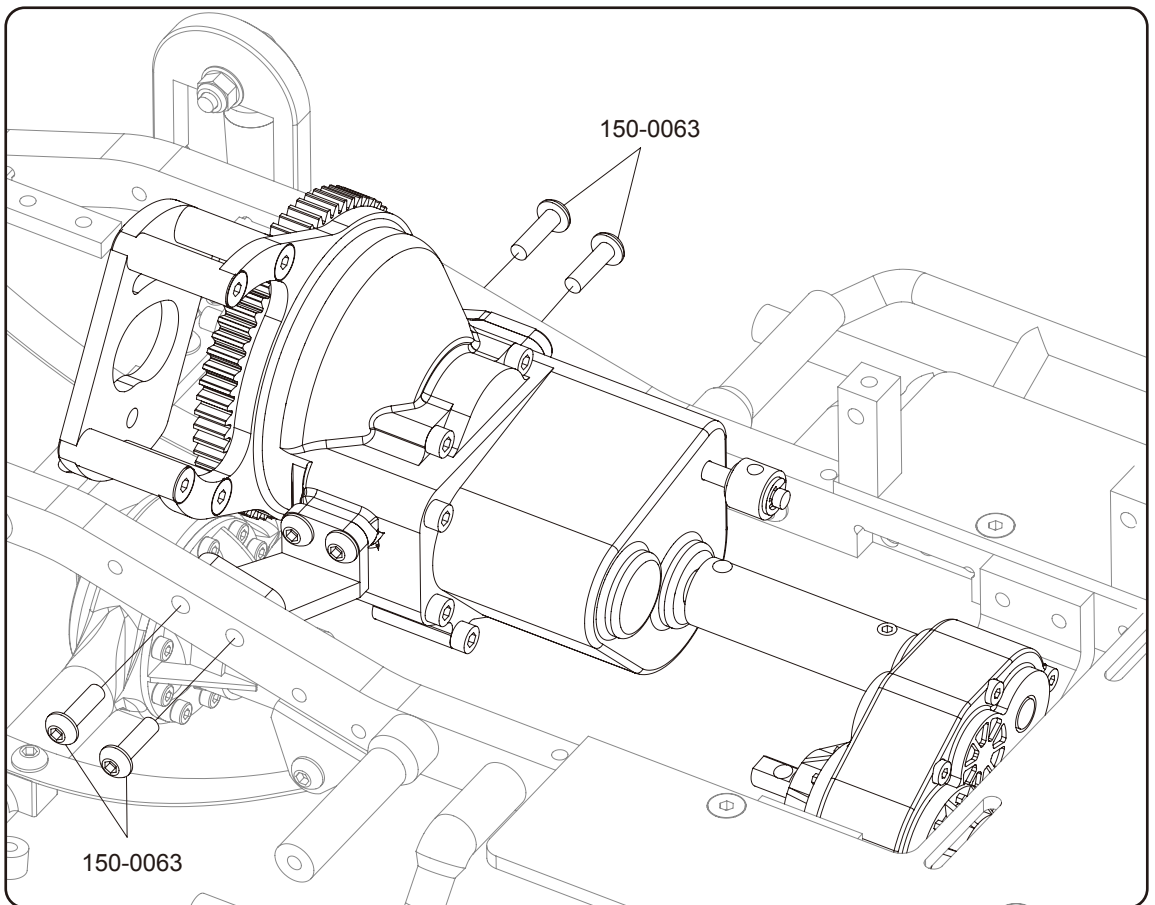


RC4WD
Step 33



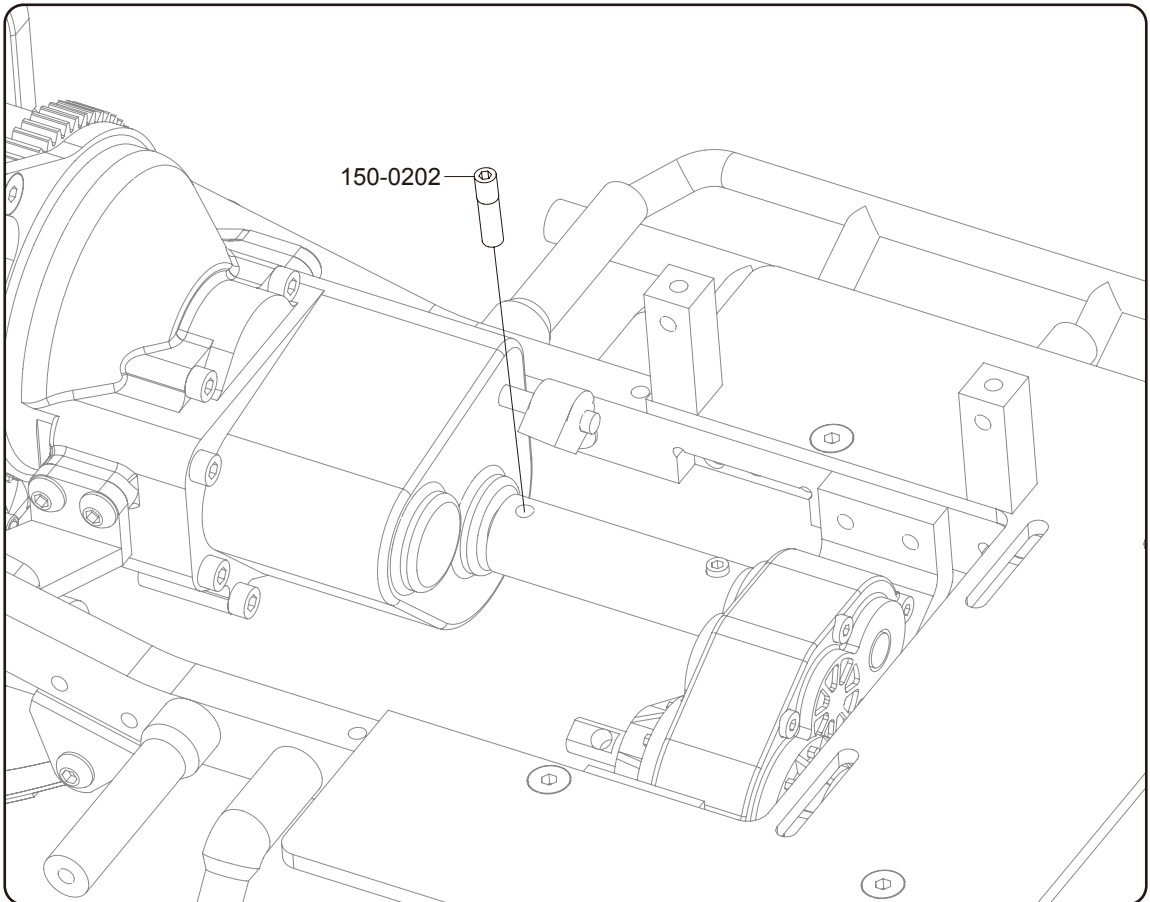
RC4WD
Step 34

 X4
150-0063
M3 x 10mm BHCS

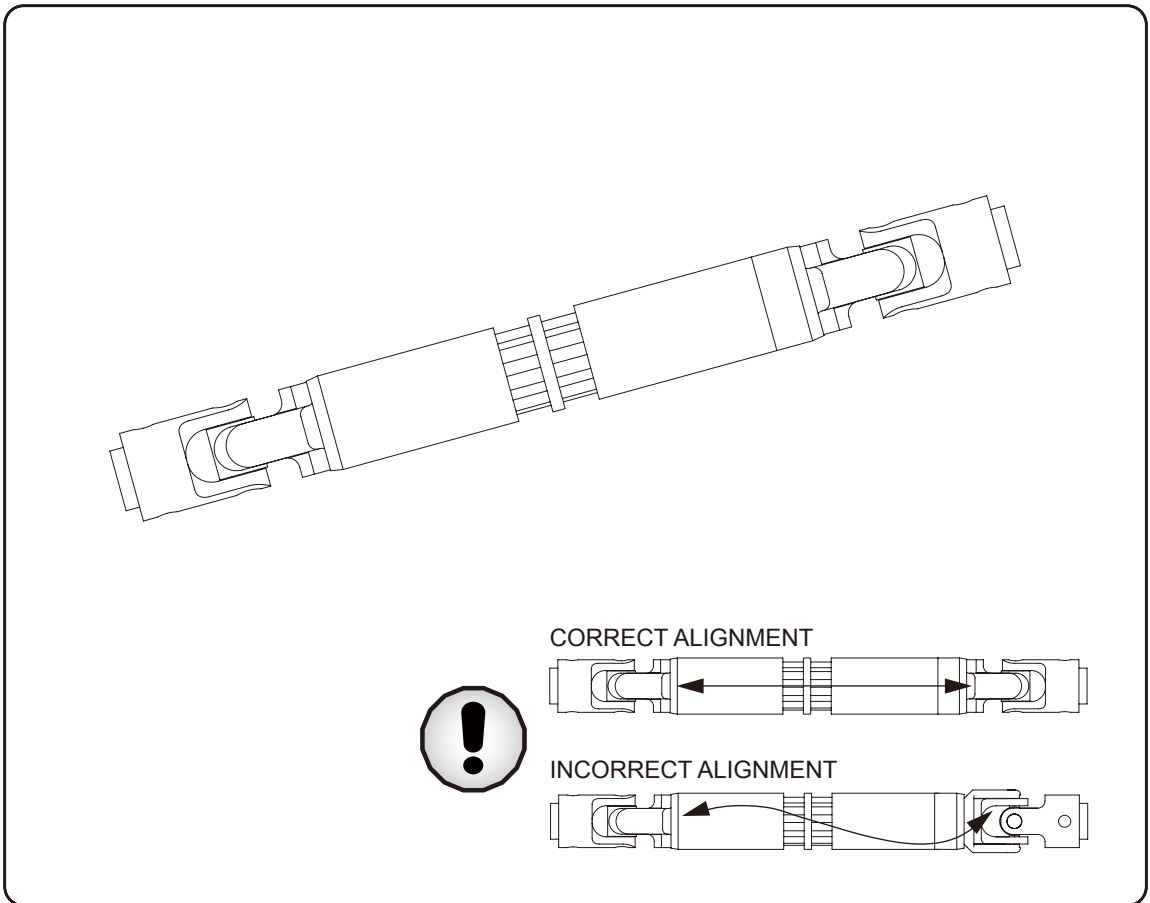


RC4WD
Step 35


 X1
150-0202
M3 Drive Shaft Pin

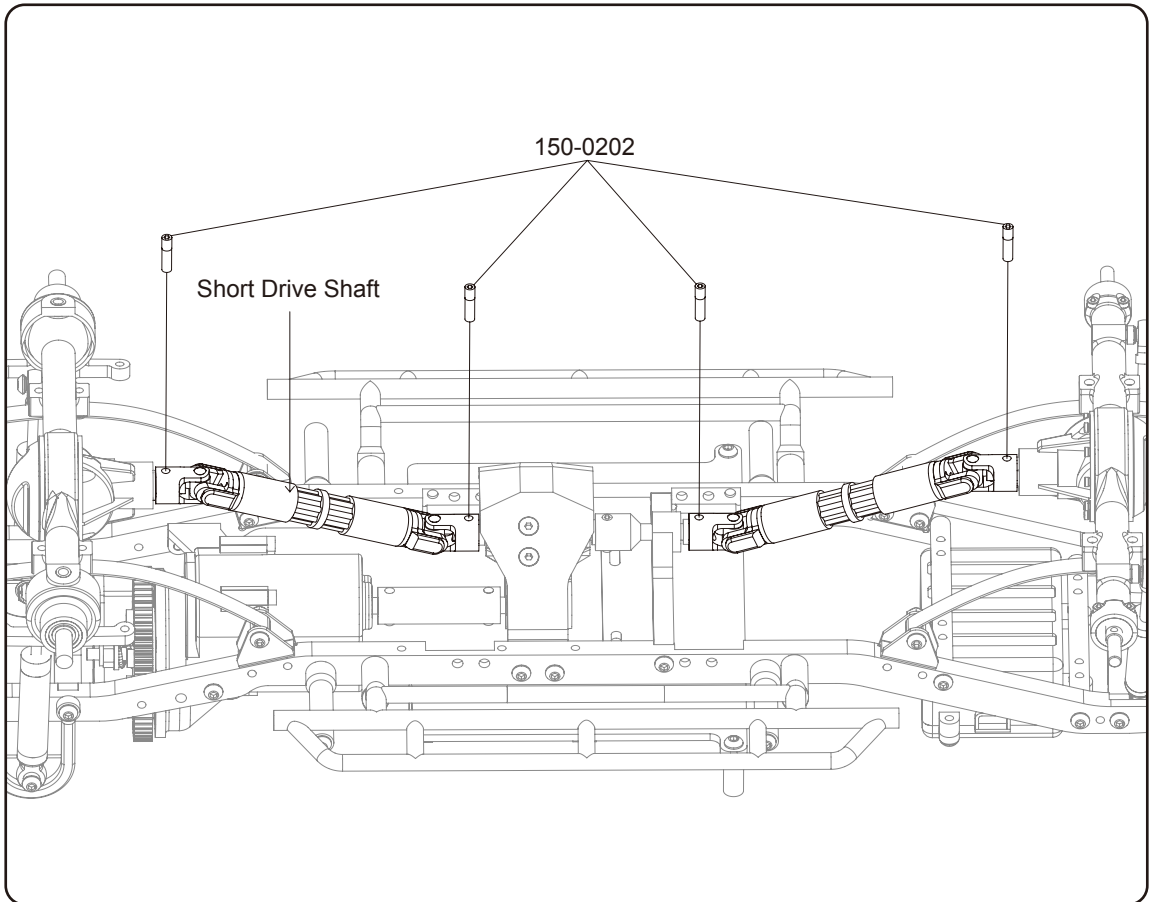


RC4WD
Step 36



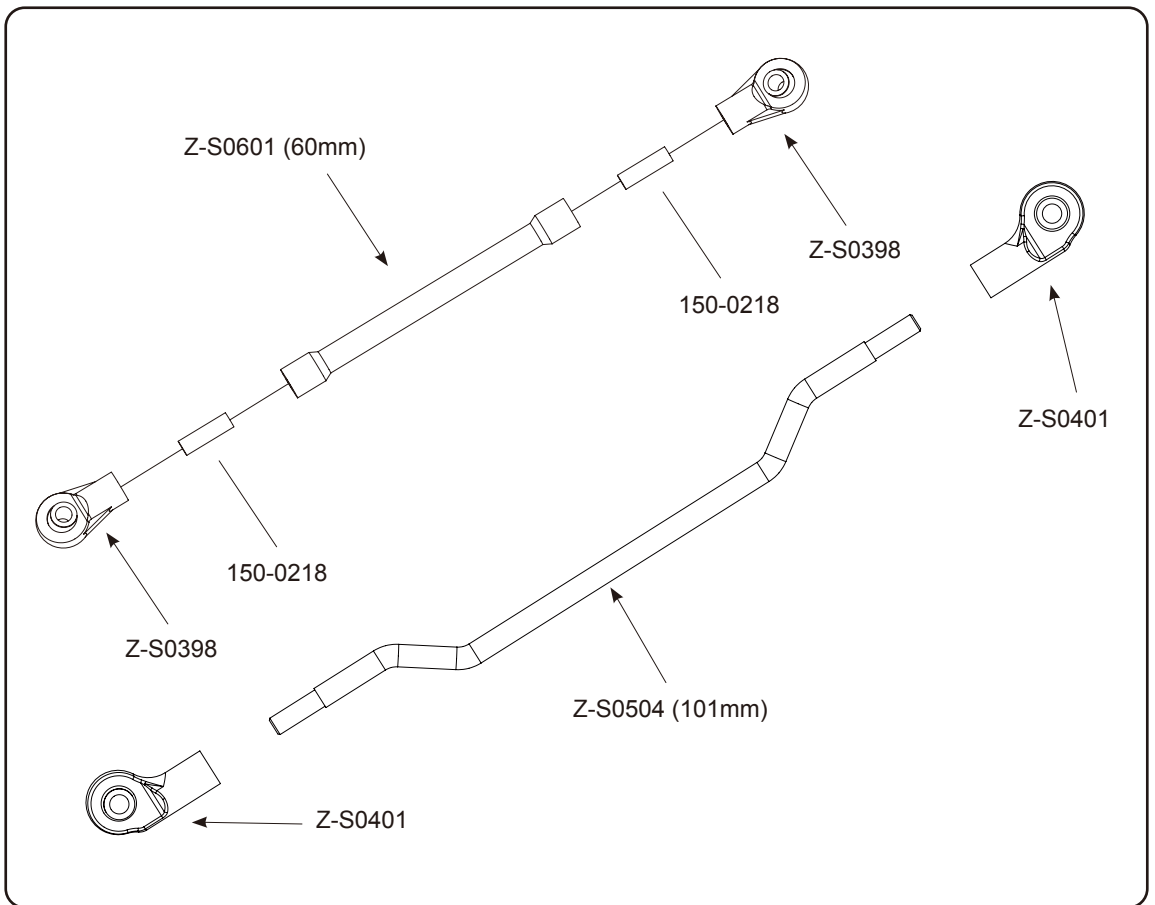
RC4WD
Step 37

-  X4
- 150-0202
- M3 Drive Shaft Pin





RC4WD
Step 38

-  X2
- 150-0218
- M3 x 10mm
- Set Screw

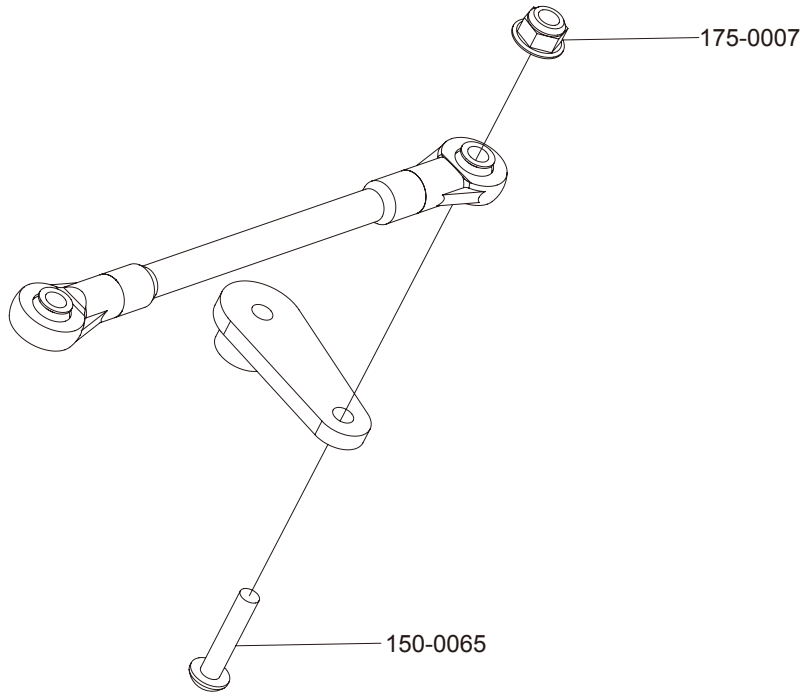


RC4WD
Step 39

 X1
150-0065
M3 x 14mm BHCS

 X1
175-0007
M3 Black Lock Nut

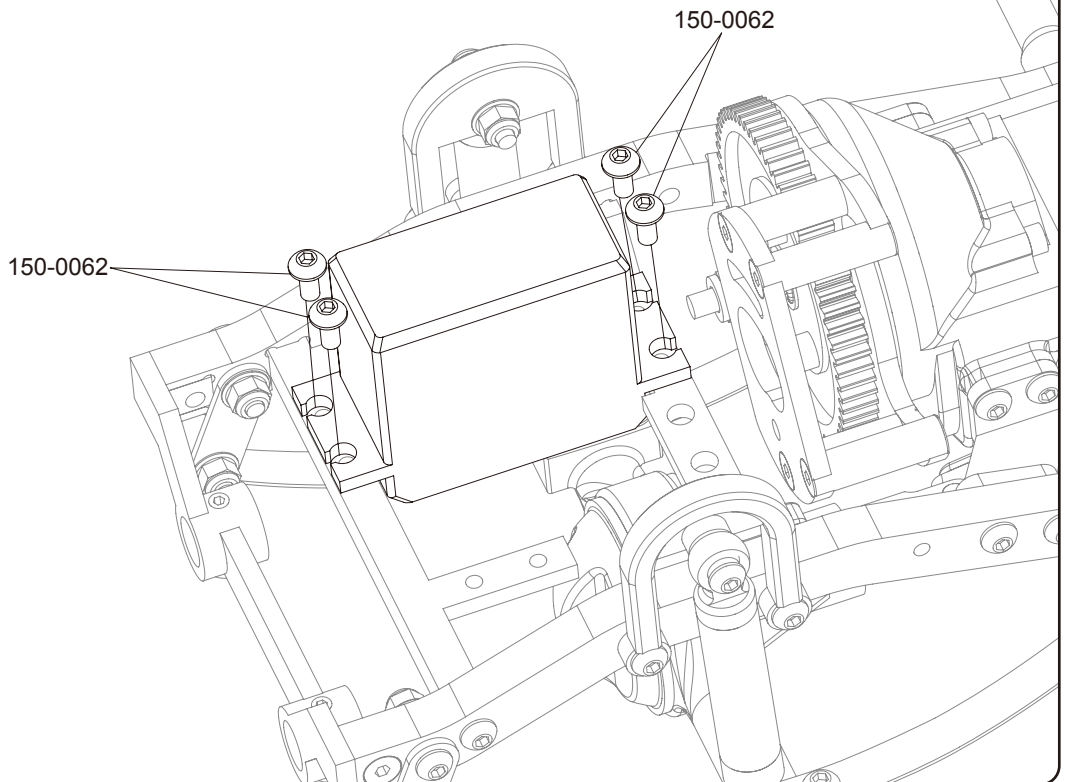
*servo arm not included.




RC4WD
Step 40


 X4
150-0062
M3 x 8mm BHCS

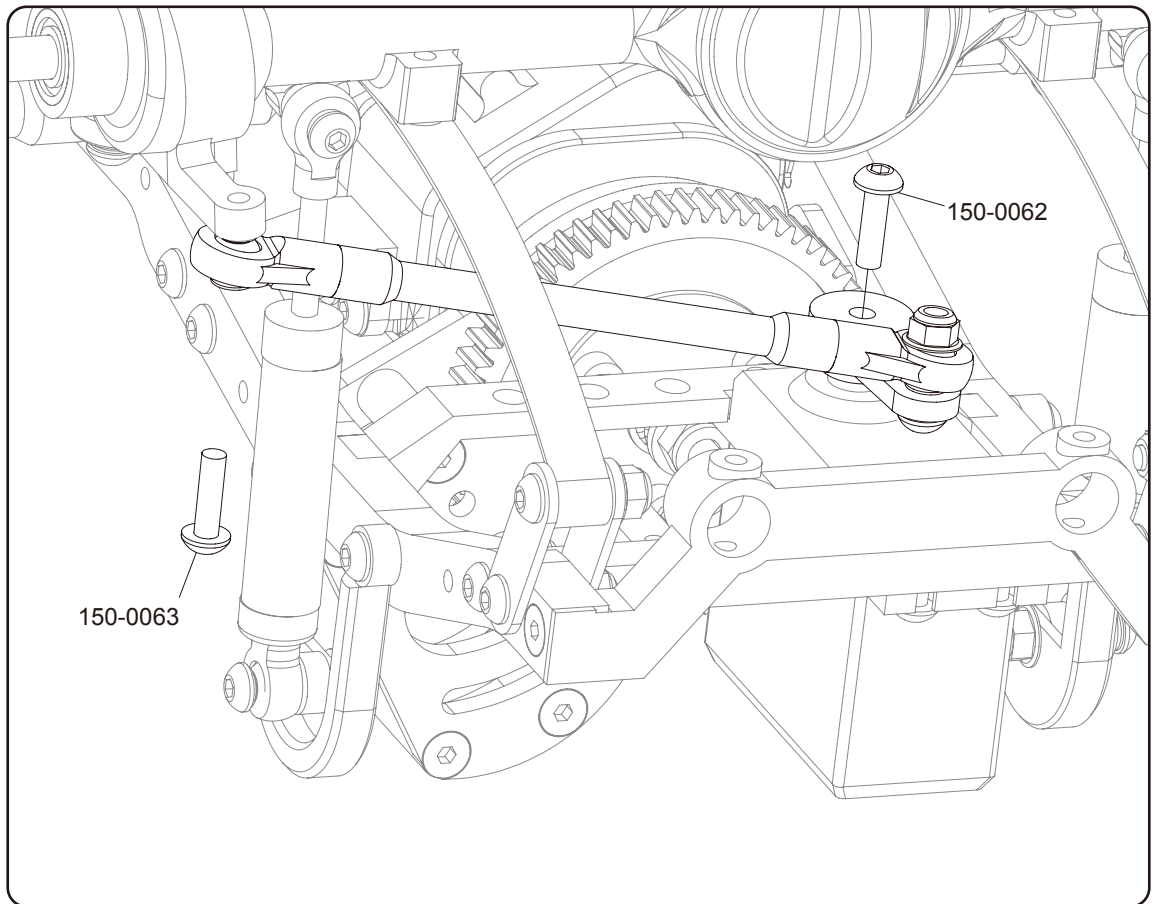
*Servo not included.




RC4WD
Step 41

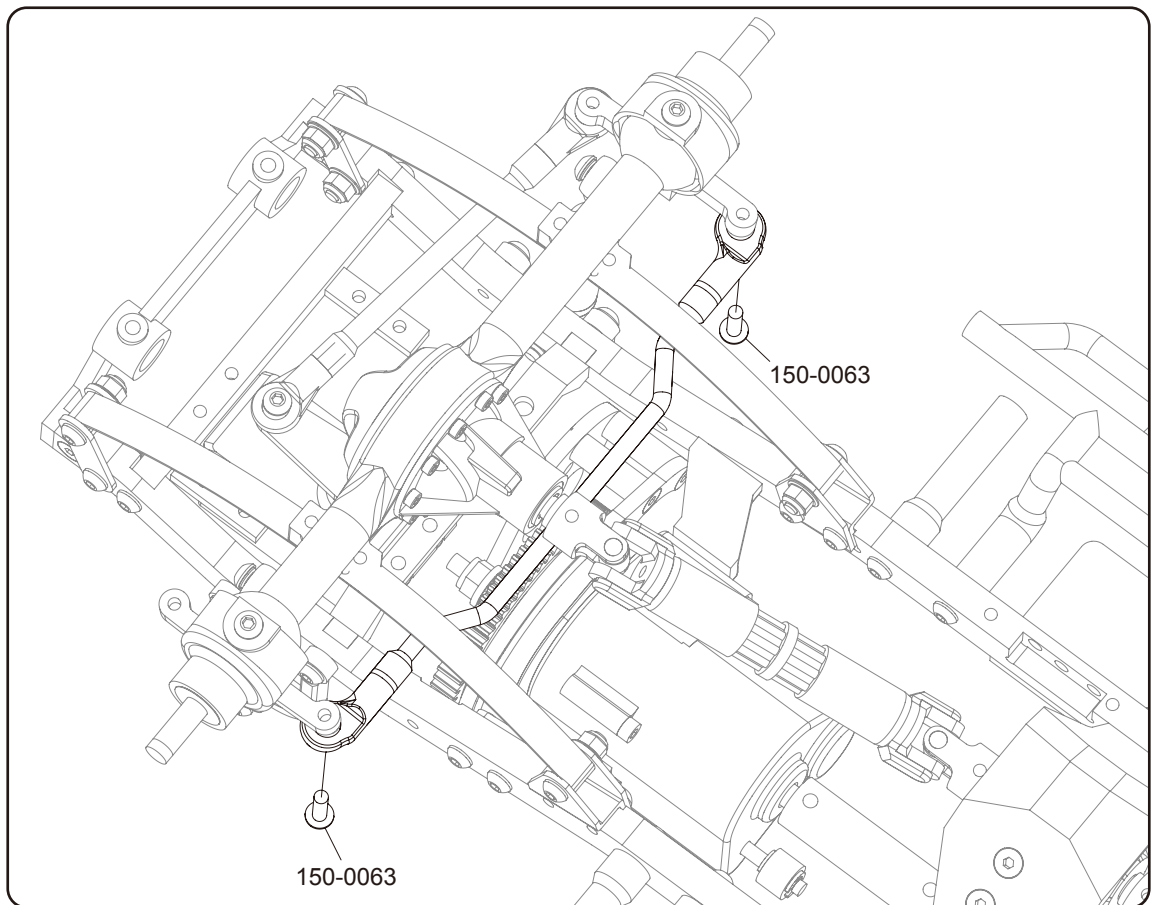
 X1
150-0062
M3 x 8mm BHCS

 X1
150-0063
M3 x 10mm BHCS




RC4WD
Step 42

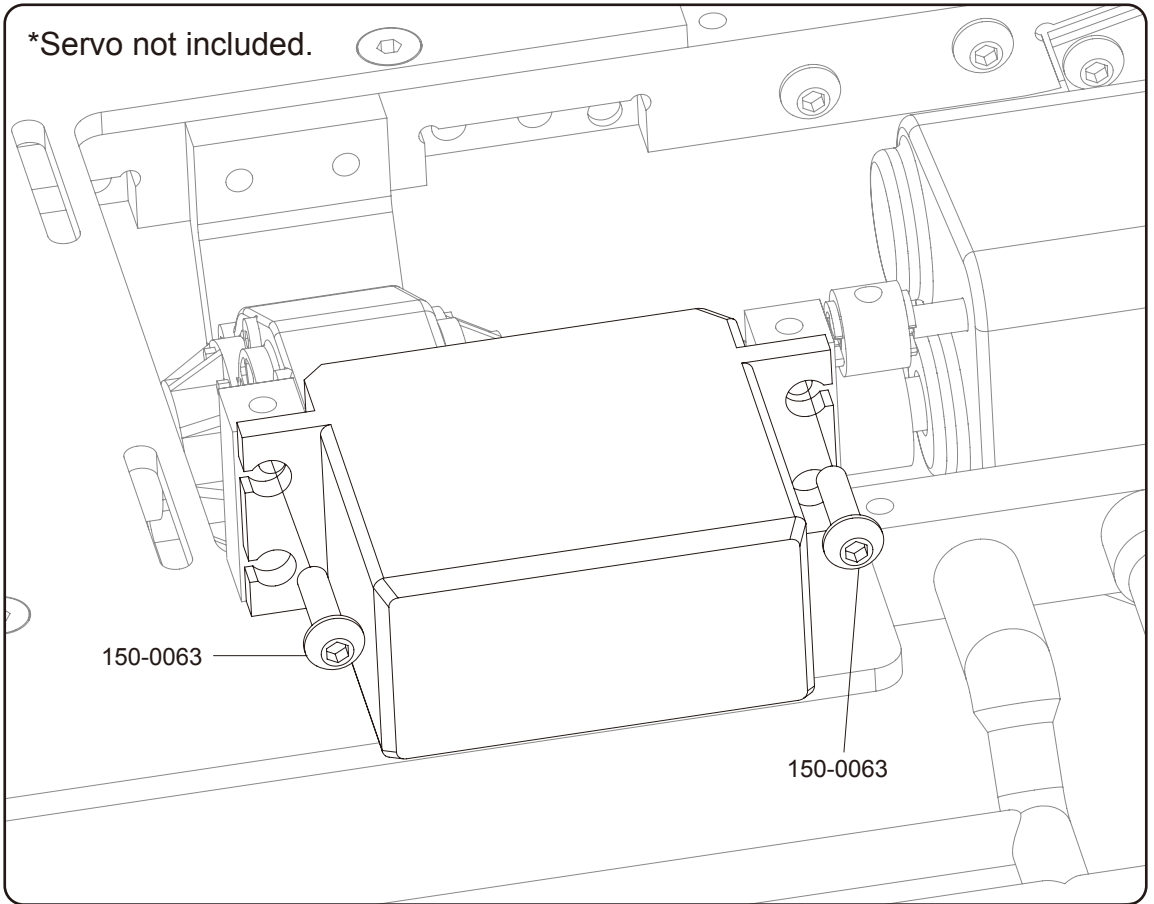
 X2
150-0063
M3 x 10mm BHCS



RC4WD
Step 43

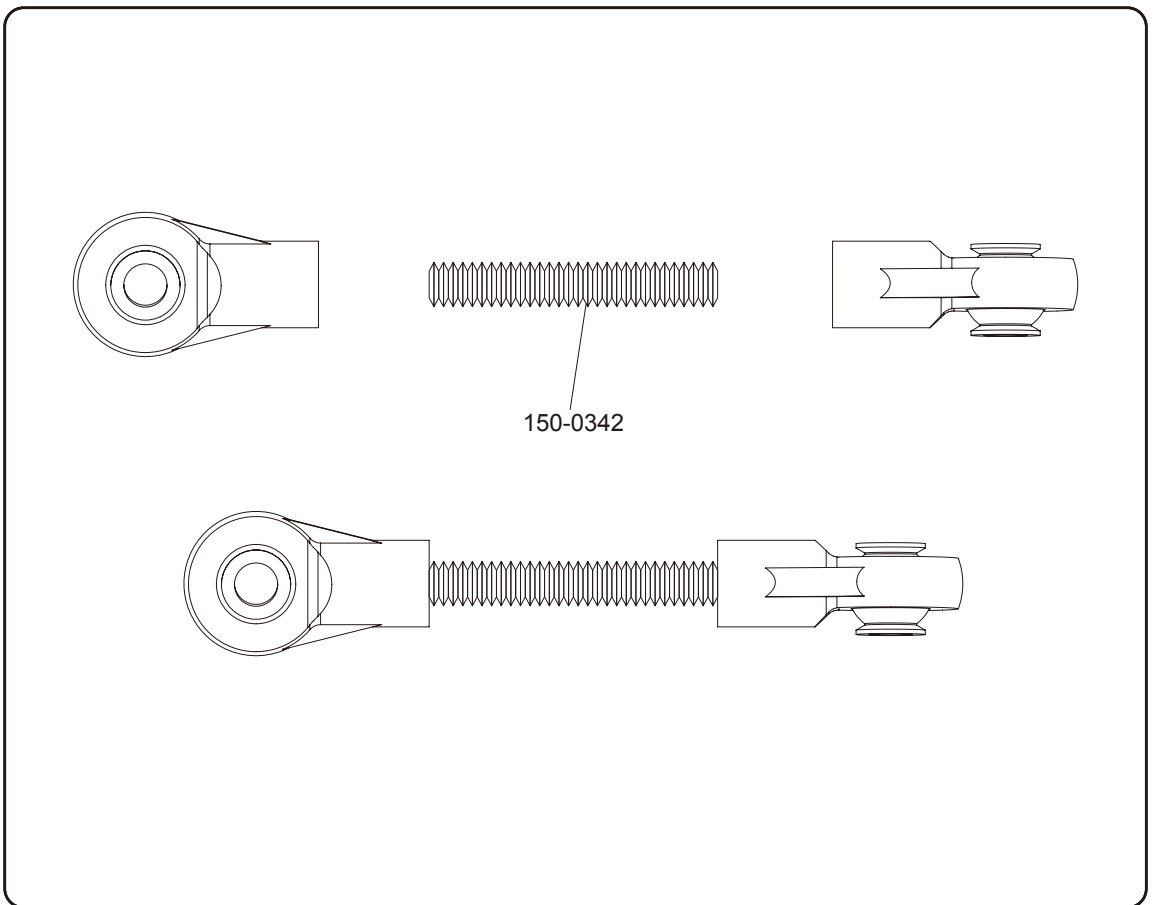
 X2
150-0063
M3 x 10mm BHCS

*Servo not included.




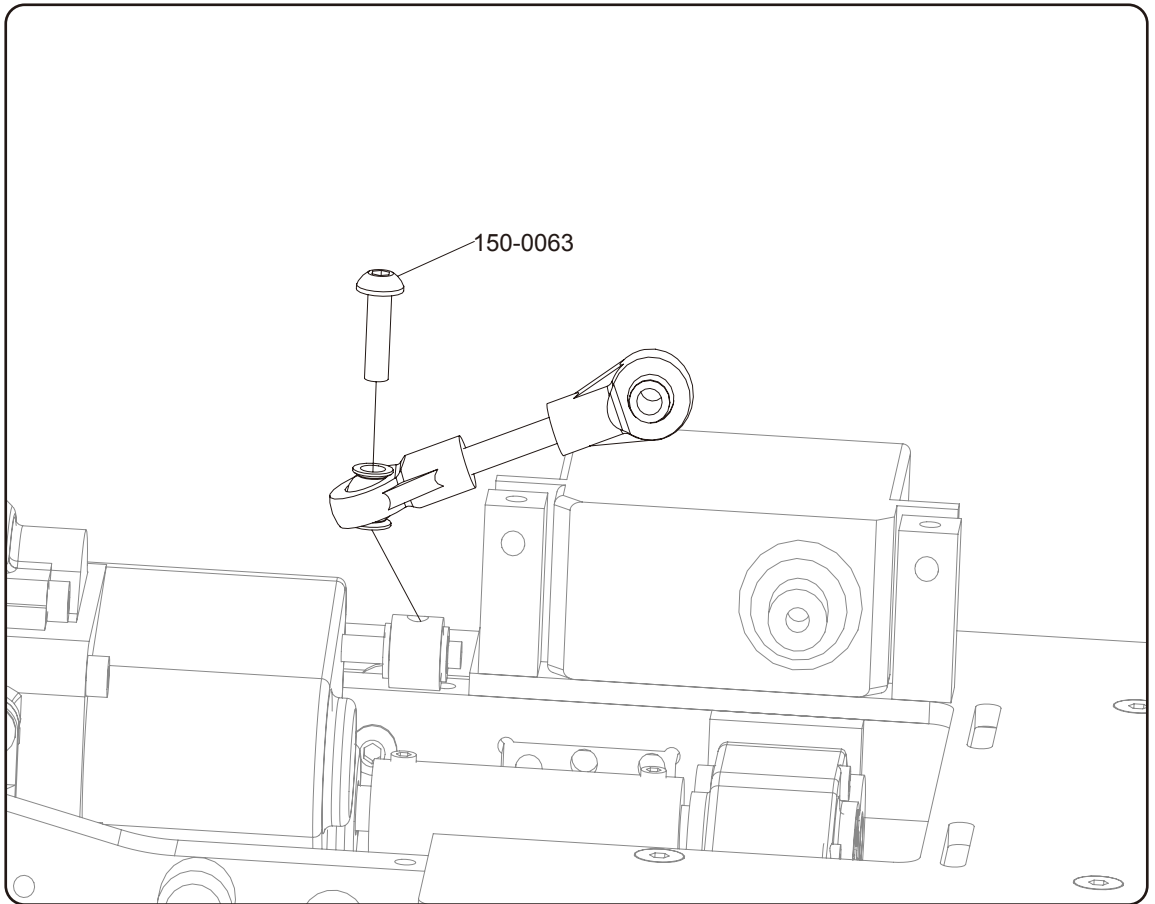
RC4WD
Step 44

 X1
150-0342
M3 x 20mm
Set Screw






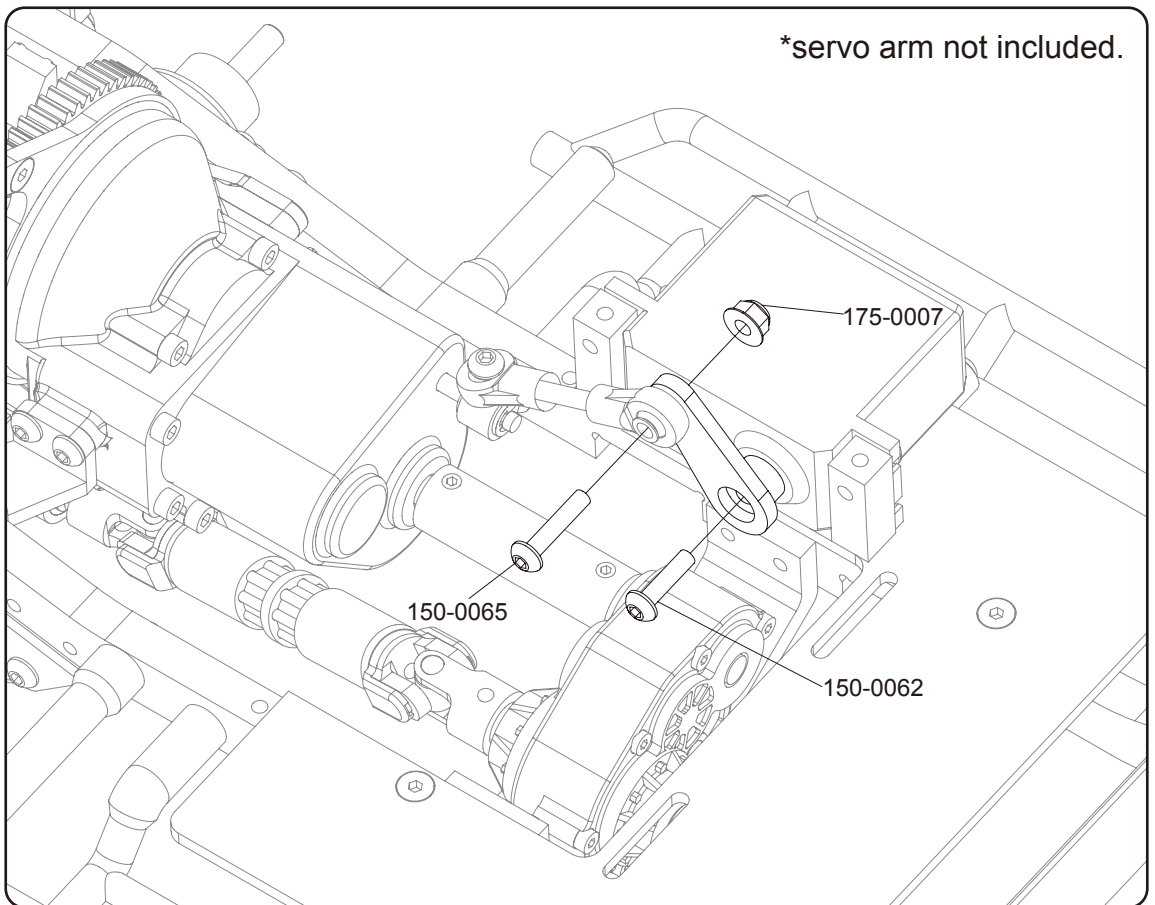
RC4WD
Step 45

-  X1
150-0063
M3 x 10mm BHCS




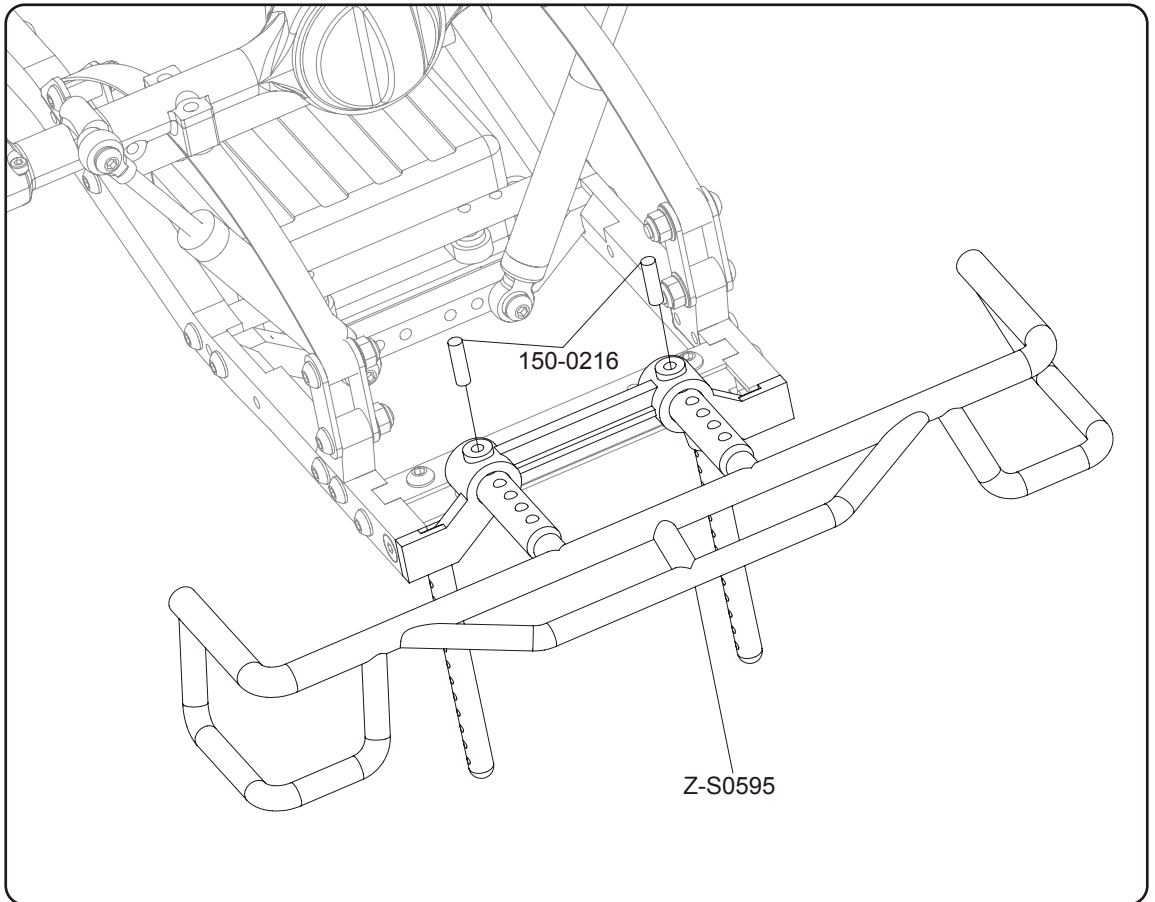
RC4WD
Step 46

-  X1
150-0065
M3 x 14mm BHCS
-  X1
175-0007
M3 Black Lock Nut
-  X1
150-0062
M3 x 8mm BHCS




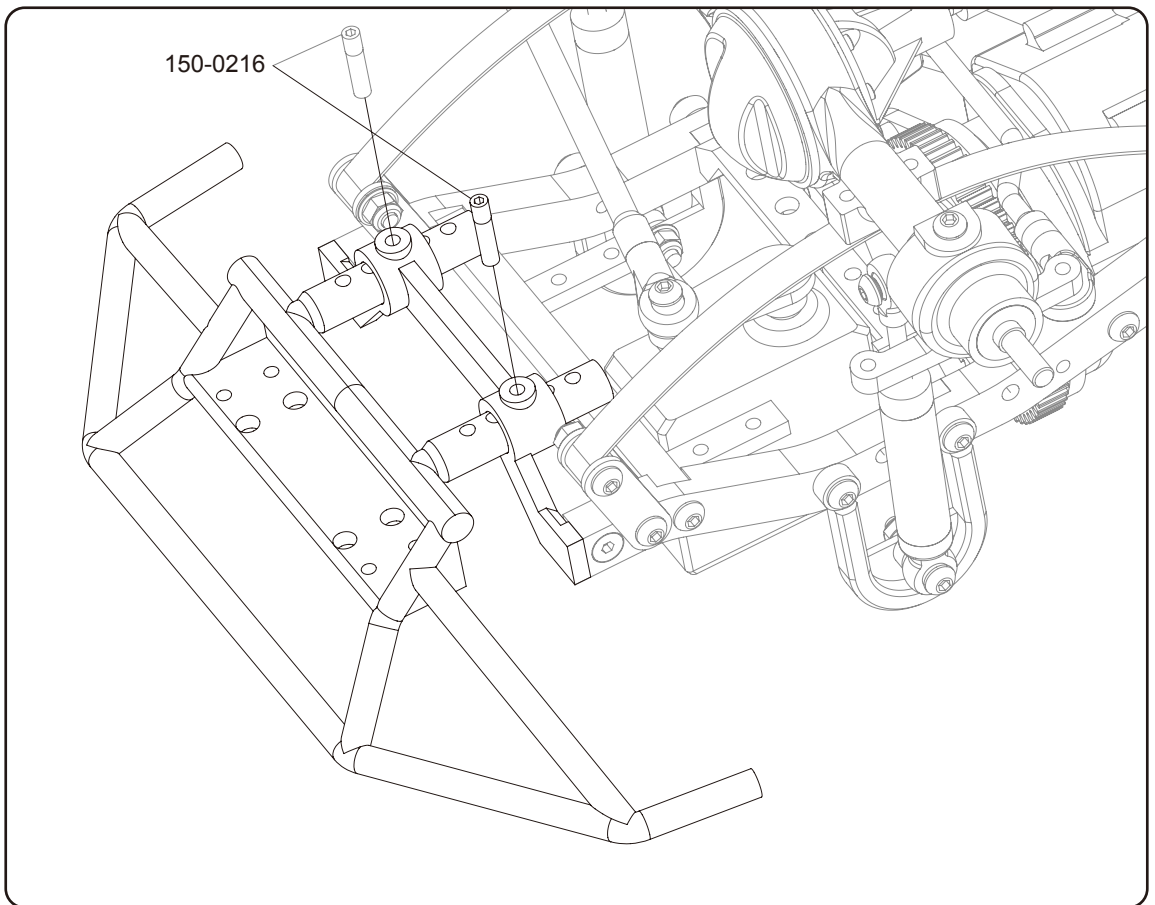
RC4WD
Step 47

 X2
150-0216
M3 x 15mm
Set Screw



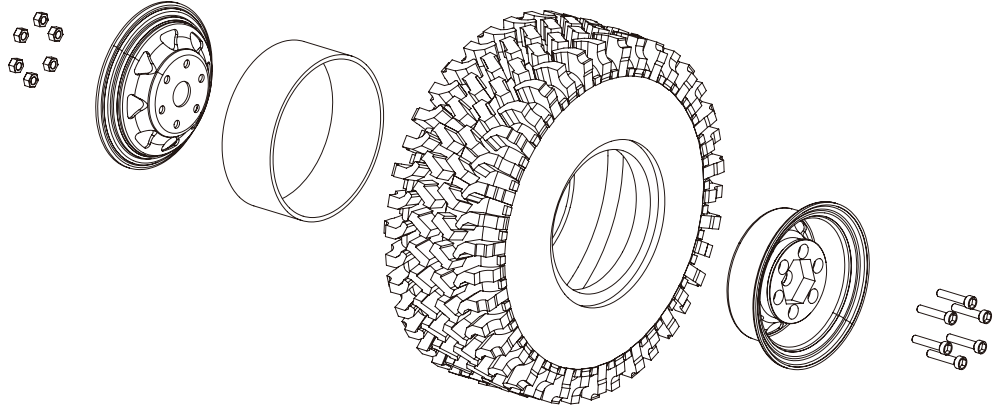
RC4WD
Step 48

 X2
150-0216
M3 x 15mm
Set Screw



RC4WD
Step 49

Wheel disassembly shown.



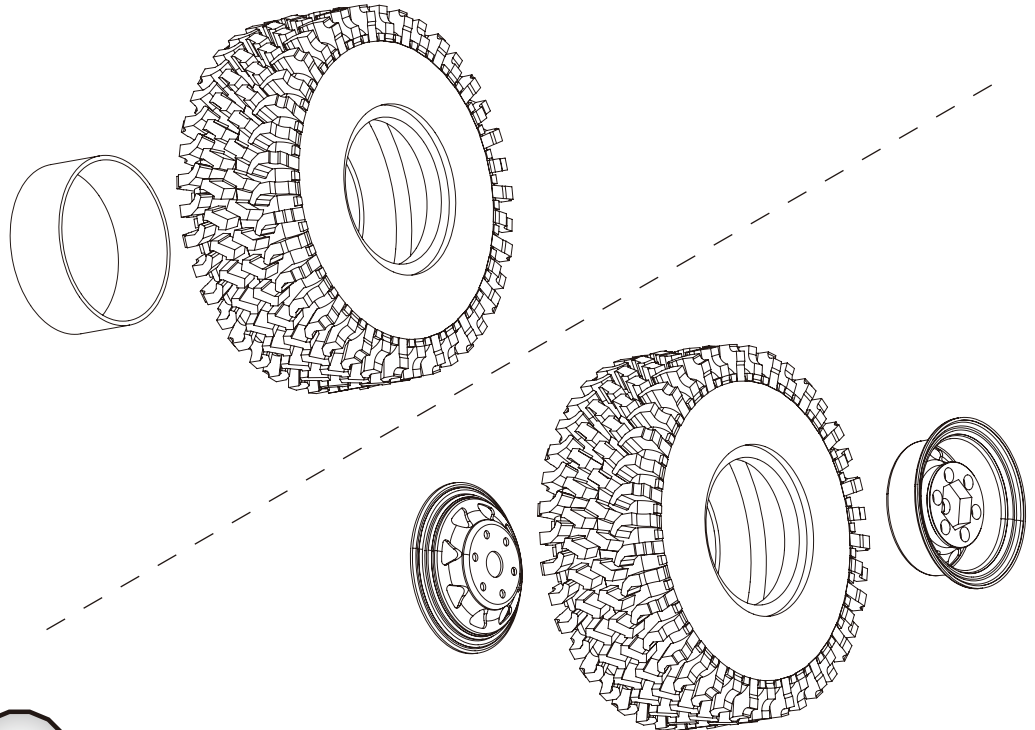
x4



Ensure the front and back wheel spokes align with each other.

RC4WD
Step 50


Insert internal beadlock ring into tire.





x4

Install wheel front and back. Careful of the wheels alignment to get the look.

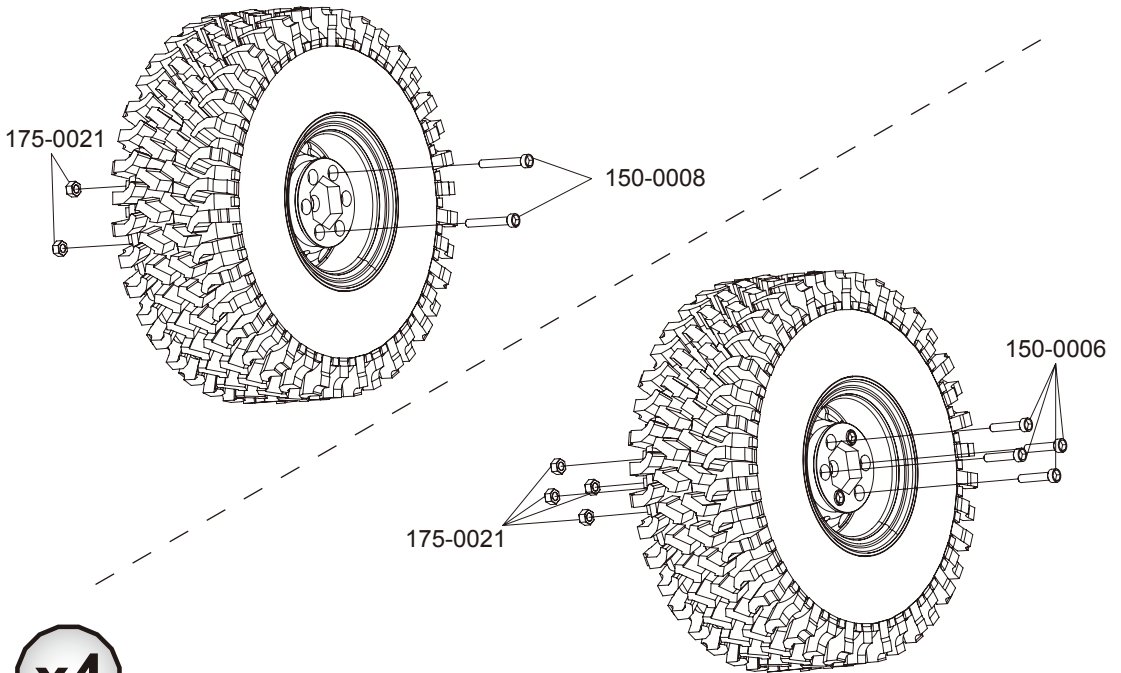
RC4WD
Step 51

 X2
150-0008
M2 x 14mm SHCS

 X24
150-0006
M2 x 10mm SHCS

 X24
175-0021
M2 Black Nut

Use the included longer hardware to help aid in tire and wheel installation. Be sure to slowly tighten the nuts on the longer hardware until you are able to begin installing the included shorter hardware.

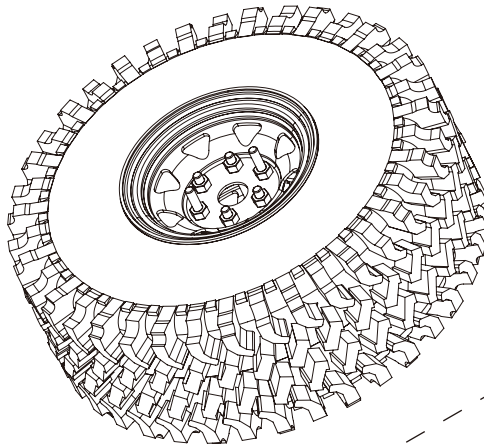


x4

Install the correct shorter length hardware into the remaining holes.

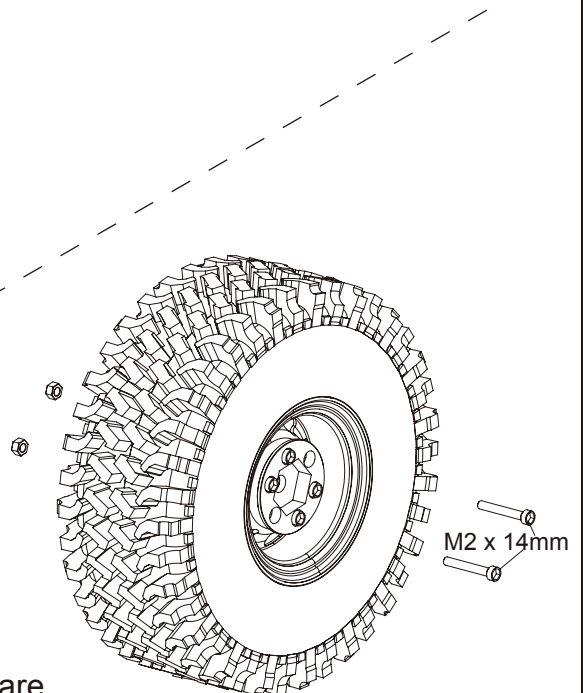
RC4WD
Step 52

Your wheel and tire should be fully seated like shown.



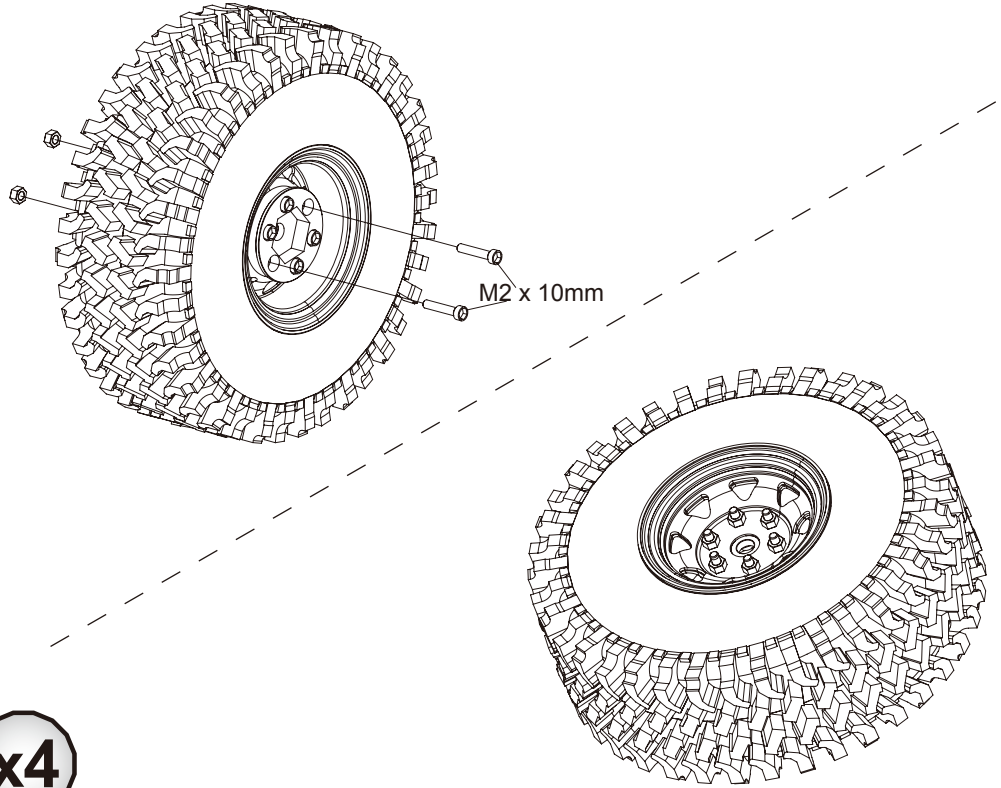
x4

Remove the longer hardware.



RC4WD
Step 53

Install the correct shorter hardware.



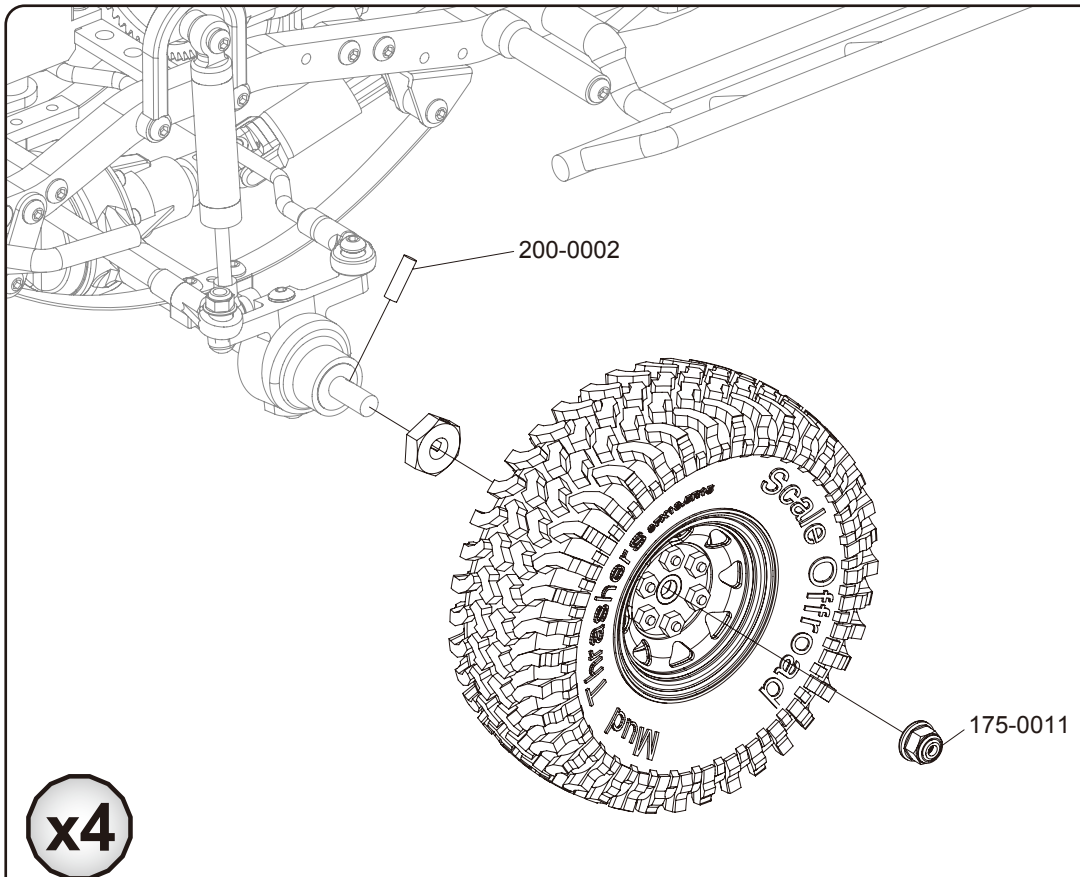
RC4WD
Step 54

— X4

200-0002
M2 X 10mm
Axle Pin

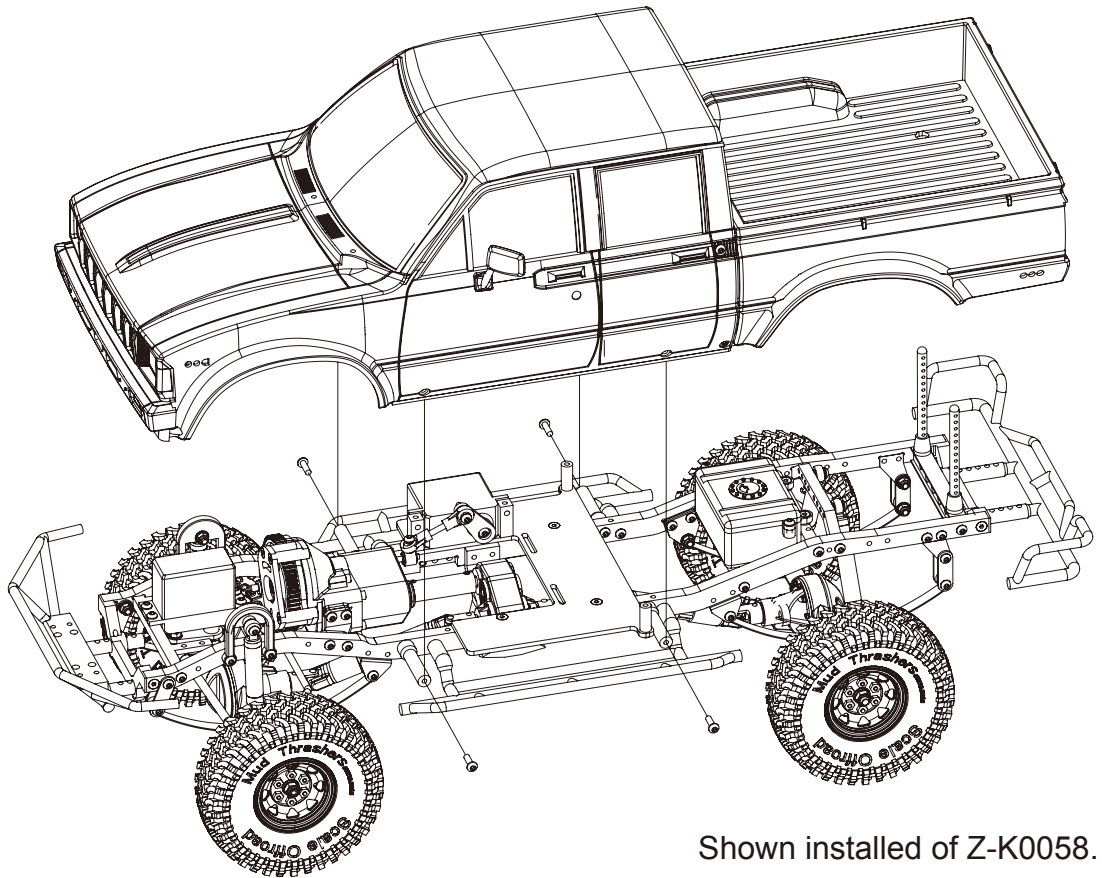


X4
175-0011
M4 Flanged Lock Nut

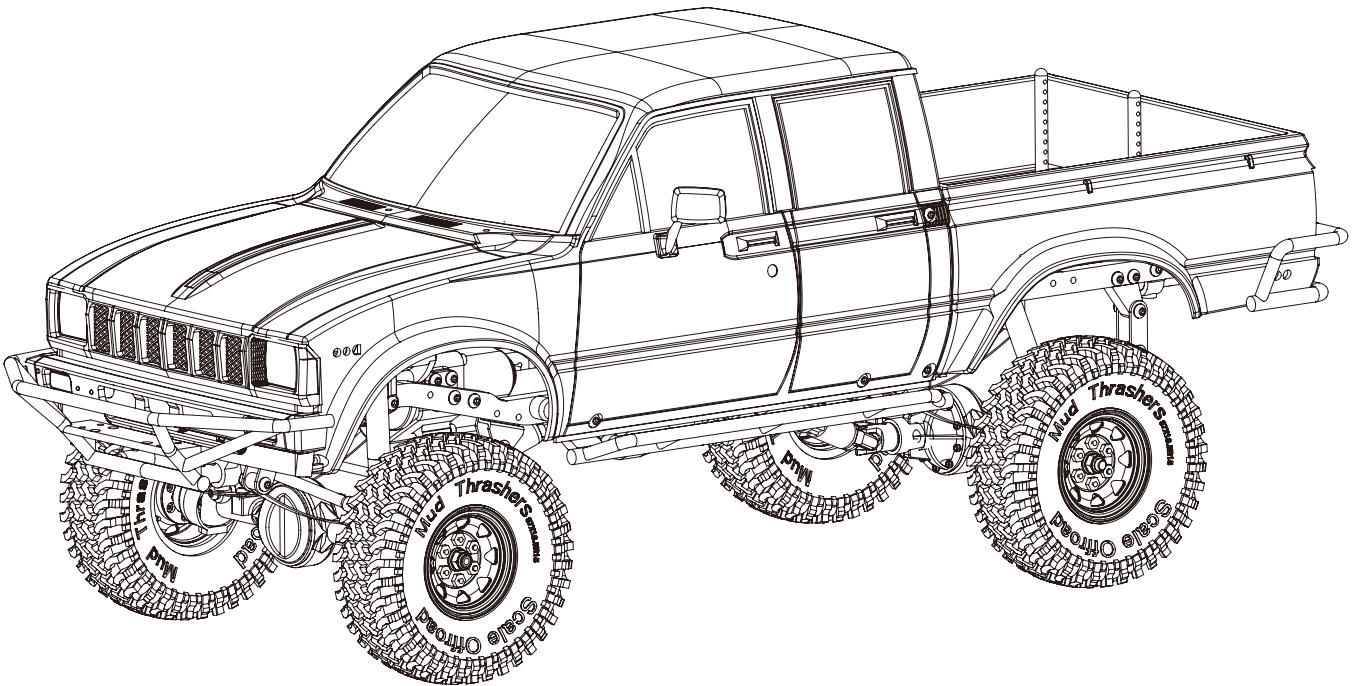


RC4WD
Step 55

 X4
150-0062
M3 x 8mm BHCS



Shown installed of Z-K0058.



Drive it like you built it!

Spare Parts

Z-A0080	Yota II Ultimate Scale Cast Axle (Front)
Z-A0081	Yota II Ultimate Scale Cast Axle (Rear)
Z-D0001	Rear Shocks The Ultimate Scale Shocks 90mm (Silver)
Z-D0004	Front Shocks The Ultimate Scale Shocks 70mm (Silver)
Z-G0055	64t Delrin Spur Gear for R3 2 Speed Transmission
Z-G0056	Replacement Gears for R3 2 Speed Transmission
Z-S0027	Yota 1/10 Axle Ring & Pinion Gears
Z-S0047	Leaf Spring Shackles & Mounts Kit
Z-S0060	Yota Front Steel Axle Shaft
Z-S0125	M3 X 5mm Set Screw (10)
Z-S0275	Leaf Spring Shoulder Screws (Black)
Z-S0308	M3 X 10mm Set Screw (10)
Z-S0363	M2 E-clip for R3 2 Speed Tranny (10)
Z-S0398	M3 Mini Plastic Rod End (20x)
Z-S0401	M3 Offset Short Plastic Rod End (20x)
Z-S0430	14t 32p Hardened Steel Pinion Gear
Z-S0518	Soft Steel Leaf Spring for Trail Finder 2
Z-S0552	Heavy Duty Nylon Strap Lock (5)
Z-S0592	Fuel Cell Radio Box
Z-S0593	Trail Finder 2 Bumper Mounts
Z-S0594	RC4WD Marlin Crawlers Front Plastic Tube Bumper for Trail Finder 2
Z-S0595	RC4WD Marlin Crawlers Rear Plastic Tube Bumper for Trail Finder 2
Z-S0599	Metal Drive Coupling for Trail Finder 2
Z-S0600	2mm Black Spacer with M3 Hole (10)
Z-S0620	M4 Flanged Lock Nut (Black)
Z-S0629	Nylock Nuts M3 (Black)
Z-S0648	Steel Flat Head Socket Cap Screw M3 x 6mm (10)
Z-S0649	Steel Flat Head Socket Cap Screw M3 x 8mm (10)
Z-S0650	M3 x 15mm Set Screw (10)
Z-S0651	Steel Button Head Cap Screws M3 x 6mm (10)
Z-S0652	Steel Button Head Cap Screws M3 x 8mm (10)
Z-S0653	Steel Button Head Cap Screws M3 x 10mm (10)
Z-S0654	Steel Button Head Cap Screws M3 x 12mm (10)
Z-S0655	Steel Button Head Cap Screws M3 x 14mm (10)
Z-S0656	Steel Button Head Cap Screws M3 x 16mm (10)
Z-S0657	Steel Button Head Cap Screws M3 x 18mm (10)
Z-S0675	R3 Shift Rod Linkage Mount Ver II
Z-S0677	R3 Tranny Mounts For Trail Finder 2
Z-S0678	Electronics Top Plate w/Servo Mounts For Trail Finder 2
Z-S0689	R3 2 Speed Transmission Shafts
Z-S0704	Slipper Clutch Assembly for R3 and AX2 Transmissions
Z-S0733	R3 Motor Mount Plate
Z-S0804	M3 Driveshaft Screw Pin (5)
Z-S0806	3mm Black Spacer with M3 Hole (10)
Z-S1732	RC4WD Assembly Combo Pack (Oil, Thread Lock, Grease)
Z-S1836	Drag Link for Yota II (101mm / 3.98in)
Z-S2020	RC4WD Plastic Punisher Shaft V2 (102mm-110mm / 4.02" - 4.33") 5mm Hole
Z-T0100	Mud Thrashers 1.55" Scale Tires
Z-U0024	Hammer Transfer Case (1.47/1)
Z-U0025	R3 Scale 2 Speed Transmission
Z-W0035	Stamped Steel 1.55" Stock White Beadlock Wheel

Optional Parts

Z-D0015	RC4WD Superlift Superide 90mm Scale Shock Absorbers
Z-D0033	King Off-Road Dual Spring Shocks (90mm Medium OD)
Z-D0034	KRC4WD 70mm Old Man Emu Nitrocharger Sport Shock by ARB
Z-D0037	King Off-Road Dual Springs Shocks (70mm)
Z-D0038	RC4WD 90mm Old Man Emu Nitrocharger Sport Shock by ARB
Z-D0052	Rock Krawler RRD Emulsion Scale Dual Spring Shocks (90mm)
Z-D0055	King Off-Road Dual Spring Shocks (80mm Medium OD)
Z-E0001	540 Crawler Brushed Motor 80T
Z-E0002	540 Crawler Brushed Motor 65T
Z-E0003	540 Crawler Brushed Motor 55T
Z-E0004	540 Crawler Brushed Motor 45T
Z-E0005	540 Crawler Brushed Motor 35T
Z-E0016	LED Basic Lighting System For Mojave Body Set
Z-E0041	RC4WD Brushed 45T Boost Rebuildable Crawler 540 Motor
Z-E0045	RC4WD Brushed 35T Boost Rebuildable Crawler 540 Motor
Z-E0052	RC4WD KC HiLiTES 1/10 C Series High Performance LED Light Bar (20MM/0.75")
Z-E0054	RC4WD KC HiLiTES 1/10 C Series High Performance LED Light Bar (40mm/1.5")
Z-E0055	KC HiLiTES 1/10 C Series High Performance LED Light Bar (75MM/3")
Z-E0059	KC HiLiTES 1/10 C Series High Performance LED Light Bar (100MM/4")
Z-E0064	RC4WD 1/10 Baja Designs S8 LED Light Bar (100MM)
Z-E0065	540 Crawler Brushed Motor 20T
Z-E0066	RC4WD 1/10 Baja Designs Squadron Pro LED Lights
Z-E0067	540 Crawler Brushed Motor 27T
Z-E0069	RC4WD 1/8 Warn Zeon 10 Winch
Z-E0075	RC4WD 1/10 Warn 8274 Winch
Z-E0076	RC4WD 1/10 Baja Designs S8 LED Light Bar (120MM)
Z-G0048	60t Delrin Spur Gear for AX2 2 Speed Transmission
Z-G0059	Helical Gear Set for 1/10 Yota Axle
Z-R0006	XR4 4-Channel 2.4GHZ Transmitter/Receiver Radio
Z-R0009	XR3 3-Channel 2.4GHZ Transmitter/Receiver Radio
Z-S0003	#3 Aluminum Bumper Mount For Trail Finder 2
Z-S0004	#2 Aluminum Bumper Mount For Trail Finder 2
Z-S0006	#1 Aluminum Bumper Mount For Trail Finder 2
Z-S0196	Scale Aisin/Yota Style Hubs
Z-S0209	Punisher Shaft
Z-S0358	Truck Bed Mount Angled Spare Tire Carrier
Z-S0551	Lettering Kit for Mojave and Tamiya Hilux/Tundra Bodies
Z-S0565	Front 3 Link w/Panhard Bar
Z-S0570	Red Super Soft Leaf Springs
Z-S0579	Rear Machined Aluminum Bumper Hitch
Z-S0590	Big Boss Fender Flares
Z-S0603	Rear 4 Link Kit
Z-S0765	Tough Armor Front Tube Bumper w/ Winch Mount for Trail Finder
Z-S0778	Marlin Crawlers Front Steel Tube Bumper for Trail Finder 2
Z-S0930	1/10 Hilux 4WD Emblem Set for Mojave and Hilux Body
Z-S0986	Superlift Adjustable Steering Stabilizer (90mm-120mm)
Z-S0988	Superlift Adjustable Steering Stabilizer (65mm-90mm)
Z-S1089	RC4WD Wired Winch Control Unit
Z-S1092	RC4WD Warn 1/10 Wireless Remote/Receiver Winch Controller Set
Z-S1192	Front Inner Fender Set for Mojave/Hilux Body
Z-S1261	Rebuildable Super Punisher Shaft (100mm - 118mm / 3.94" - 4.65") 5mm Hole

Z-S1264	Universal Front Bumper Mount for Trail Finder 2
Z-S1310	RC4WD 1/10 Warn Hawse Polished Aluminum Fairlead
Z-S1373	Marlin Crawlers Rear Steel Tube Bumper for Trail Finder 2
Z-S1476	Super Scale Steel Leaf Springs for TF2 & Tamiya Bruiser
Z-S1496	Marlin Crawlers Front Winch Bumper for Trail Finder 2
Z-S1526	RC4WD 1/10 Hi-Lift Jack
Z-S1571	RC4WD 1/10 Mini Warn 9.5cti Winch
Z-S1587	Teraflex Revolver Z-Box for Trail Finder, F-350, Hilux, Tundra
Z-S1590	RC4WD Warn Rock Crawler Front Winch Bumper for Trail Finder 2
Z-S1594	Teraflex Revolver Shackles
Z-S1609	RC4WD Universal Winch Mounting Plates
Z-S1613	Black Dino 1/10 Aluminum Propane Tank
Z-T0005	Dirt Grabber 1.9" All Terrain Tires
Z-T0021	Dirt Grabber 1.55" All Terrain Tires
Z-T0049	Rock Creepers 1.9" Scale Tires
Z-T0050	Mud Slingers 1.9" Tires (1x Pair)
Z-T0051	Mud Thrashers 1.9" Scale Tires
Z-T0053	Rock Crusher X/T 1.55" Scale Tires
Z-T0056	Interco IROK 1.55" Scale Tires
Z-T0058	Mickey Thompson 1.55" Baja MTZ Scale Tires
Z-T0064	Mickey Thompson 1.55" Baja Claw TTC Scale Tires
Z-T0086	Prowler XS Scale 1.9" Tires
Z-T0119	Dick Cepek FC-II 1.9" Tire
Z-T0124	Dick Cepek Fun Country 1.55" Scale Tires
Z-T0132	Dick Cepek Trail Country 1.7" Scale Tires
Z-U0012	4:1 Ultra Compact Gear Reduction Unit for 540 Motor
Z-W0002	6 Lug Wagon 1.9" Steel Stamped Beadlock Wheels (Chrome)
Z-W0007	Mickey Thompson Classic Lock 1.9" Internal Beadlock Wheel
Z-W0027	Dick Cepek Gun Metal 7 1.9" Internal Beadlock Wheels
Z-W0036	Stamped Steel 1.55" Stock Black Beadlock Wheel
Z-W0038	Tango Down 1.9" Internal Beadlock Wheels
Z-W0073	Pro10 1.9" Steel Stamped Beadlock Wheel (Silver)
Z-W0075	1.9" Landies Internal Beadlock Wheels
Z-W0076	1.55" Landies Vintage Stamped Steel Beadlock Wheels (White)
Z-W0080	RC4WD Dick Cepek DC-2 1.9" Internal Beadlock Wheels
Z-W0119	Humvee 1.9" Internal Beadlock Wheel
Z-W0127	5 Lug Wagon 1.9" Steel Stamped Beadlock Wheels (White)
Z-W0128	6 Lug Wagon 1.9" Steel Stamped Beadlock Wheels (White)
Z-W0129	5 Lug Wagon 1.9" Steel Stamped Beadlock Wheels (Black)
Z-W0130	6 Lug Wagon 1.9" Steel Stamped Beadlock Wheels (Black)
Z-W0140	Hitman 1.9" Beadlock Wheels
Z-W0185	Raceline Monster 1.9" Beadlock Wheels (Black)
Z-W0189	Raceline Monster 1.9" Beadlock Wheels (Black/Silver)
Z-W0194	Double Trouble "3" Aluminum Dually 1.9" Wheels
Z-W0199	Raceline Revolver 1.55" Beadlock Wheels
Z-W0200	Fuel Offroad Maverick 1.9" Beadlock Wheels
Z-W0204	Toyo 1.9" Beadlock Wheels
Z-W0205	Raceline Havoc 1.55" Beadlock Wheels
Z-W0208	OEM Stamped Steel 1.9" Beadlock Wheels (White)
Z-W0210	OEM Stamped Steel 1.9" Beadlock Wheels (Black)
Z-W0212	OEM Stamped Steel 1.9" Beadlock Wheels (Plain)



TF2 LWB Specific Parts

- Z-B0119 Mojave II Four Door Complete Body Set
- Z-B0120 RC4WD Mojave II Four Door Front Cab (Primer Gray)
- Z-B0121 RC4WD Mojave II Four Door Clear Lexan Windshield
- Z-B0122 RC4WD Mojave II Four Door Rear Bed (Primer Gray)
- Z-C0053 Trail Finder 2 "LWB" Chassis Set
- Z-S1730 RC4WD Marlin Crawlers Side Plastic Sliders for TF2 LWB





www.rc4wd.com



RC4WD

720 N. Gateway St.
Visalia, CA 93291

Web: www.rc4wd.com - Email: support@rc4wd.com

100-0057